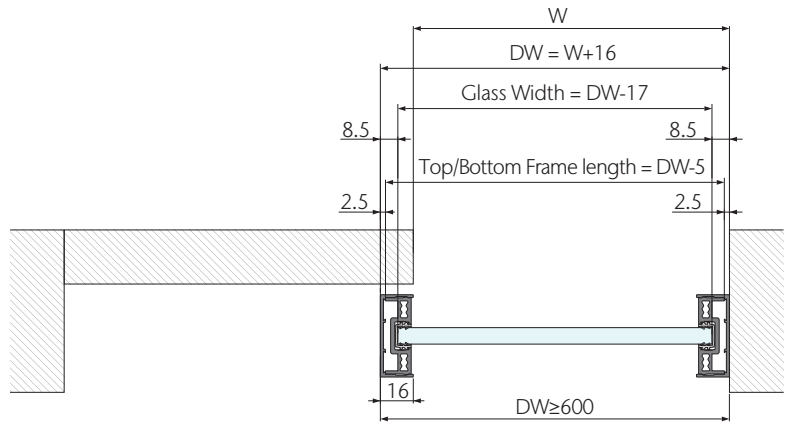
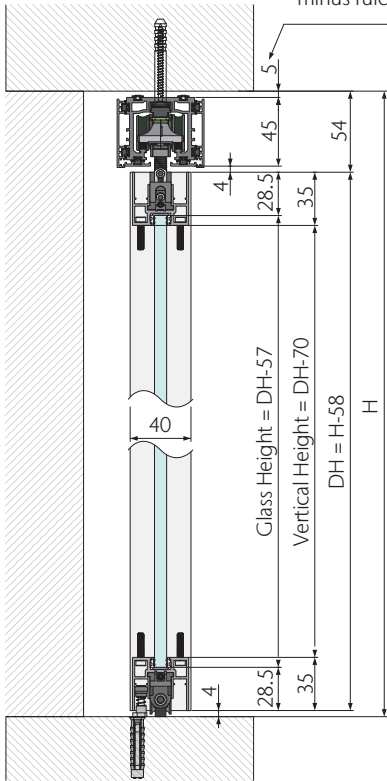


# Perfect FG Technical Picture

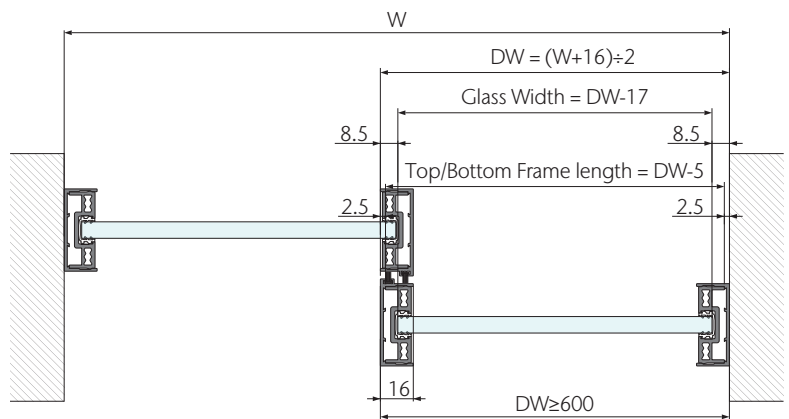
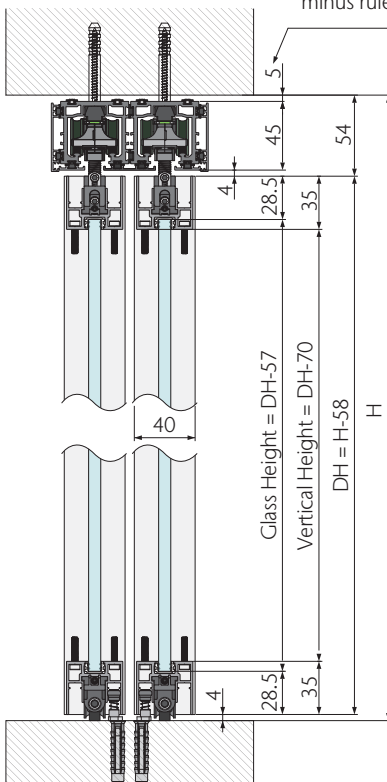
## Perfect FG Single Door

This 5mm space is used to adjust the track level,  
The installation size is subject to the door fan  
minus ruler rule.



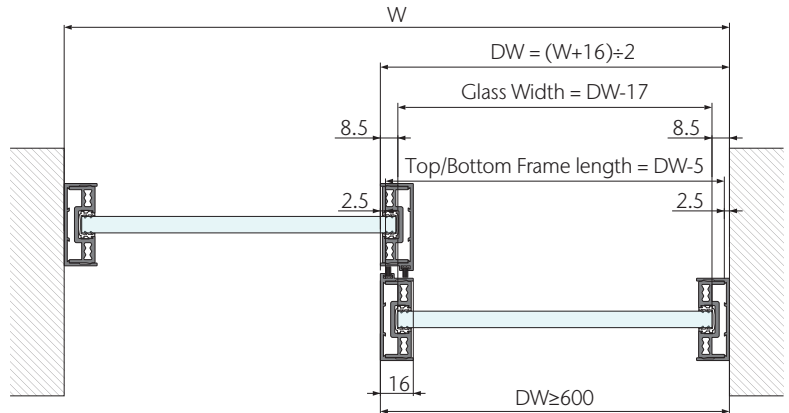
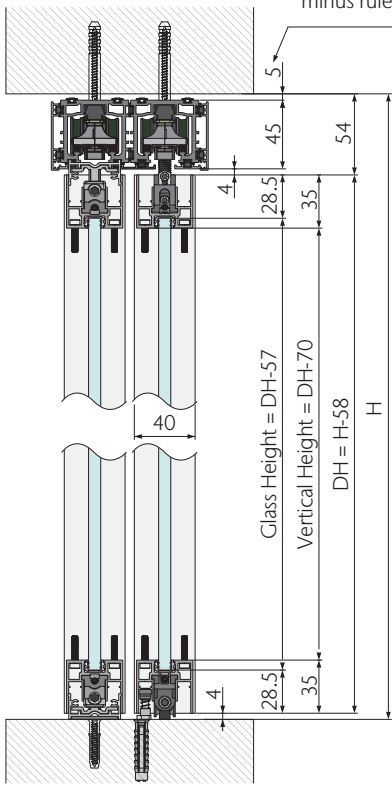
## Perfect FG Two Doors

This 5mm space is used to adjust the track level,  
The installation size is subject to the door fan  
minus ruler rule.



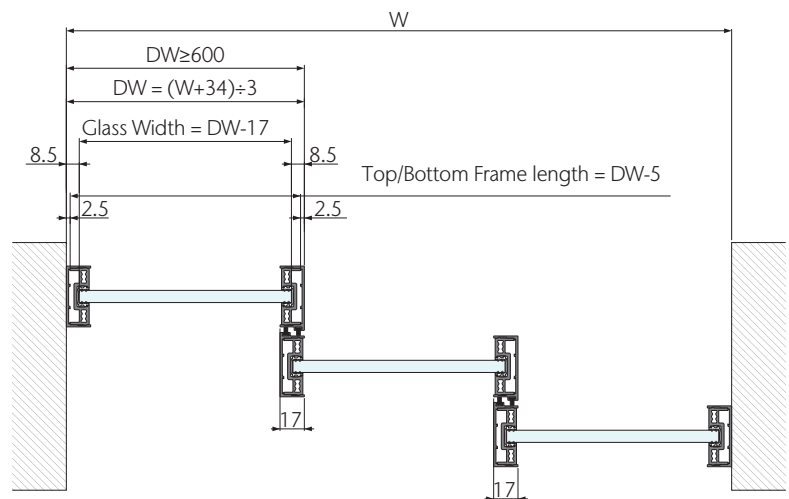
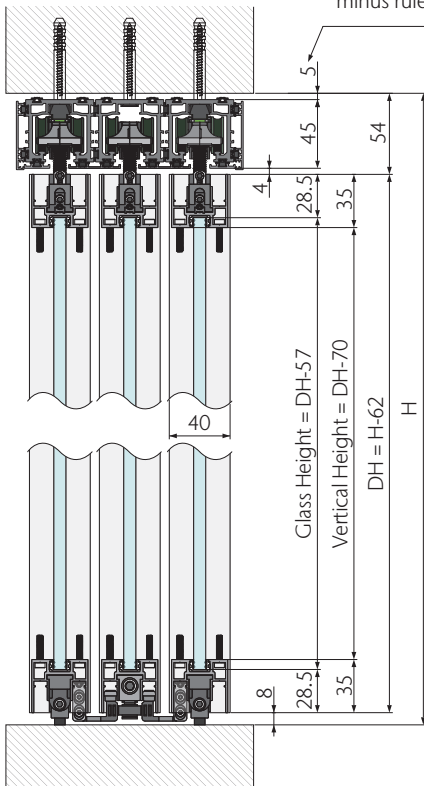
**Perfect FG One Sliding Door with One Fixing Door**

This 5mm space is used to adjust the track level,  
The installation size is subject to the door fan  
minus ruler rule.



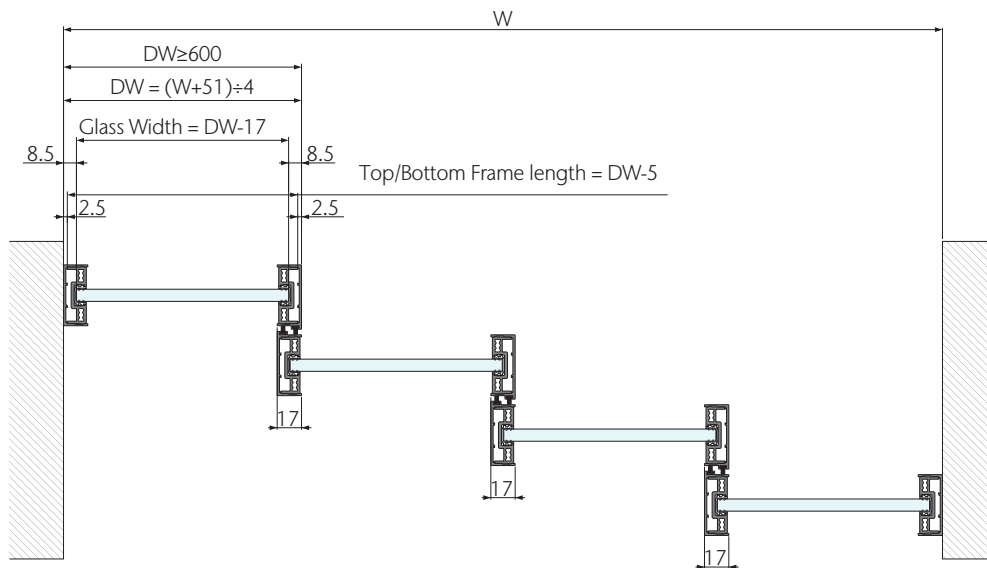
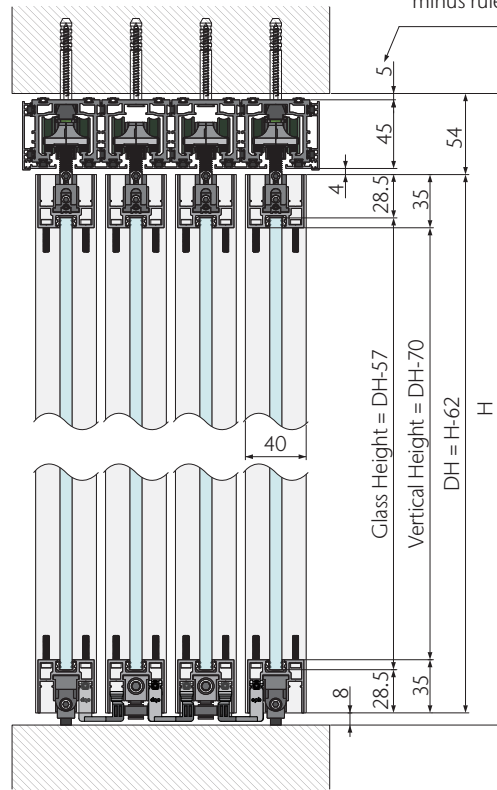
**Perfect FG Stacking 3 Doors**

This 5mm space is used to adjust the track level,  
The installation size is subject to the door fan  
minus ruler rule.



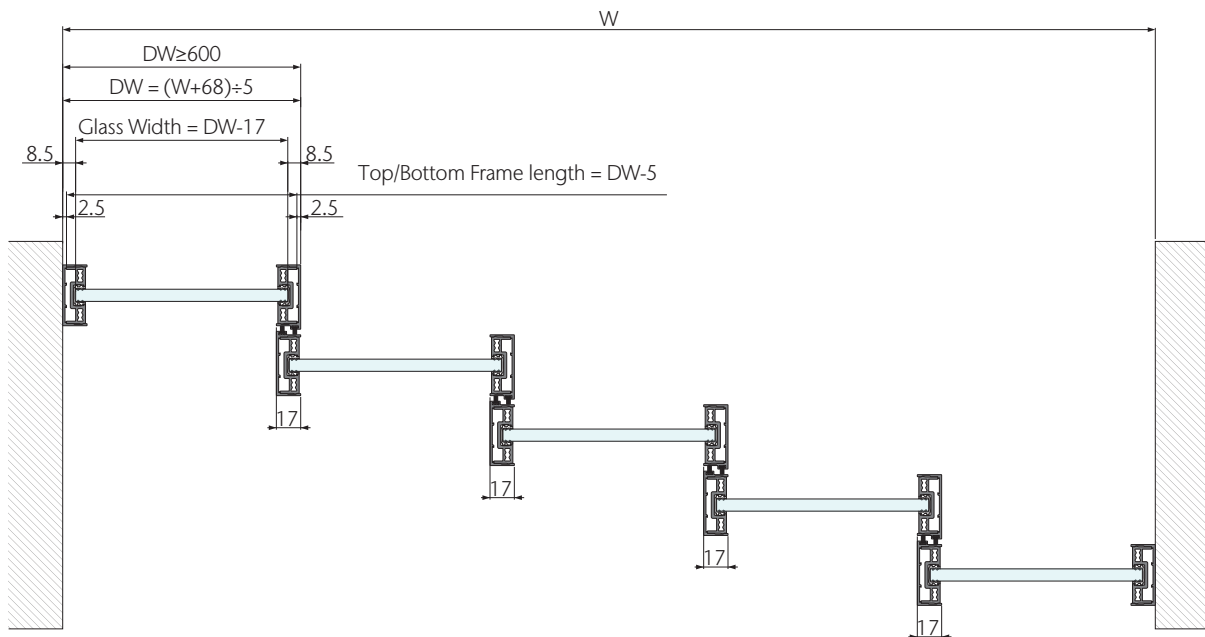
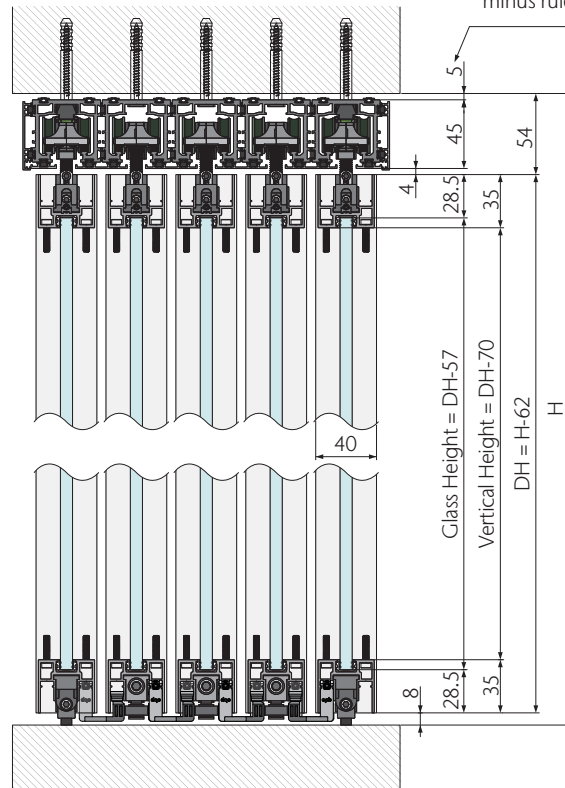
## Perfect FG Stacking 4 Doors

This 5mm space is used to adjust the track level,  
The installation size is subject to the door fan  
minus ruler rule.



## Perfect FG Stacking 5 Doors

This 5mm space is used to adjust the track level, The installation size is subject to the door fan minus ruler rule.



## Perfect FG Stacking 6 Doors

This 5mm space is used to adjust the track level,  
The installation size is subject to the door fan  
minus ruler rule.

