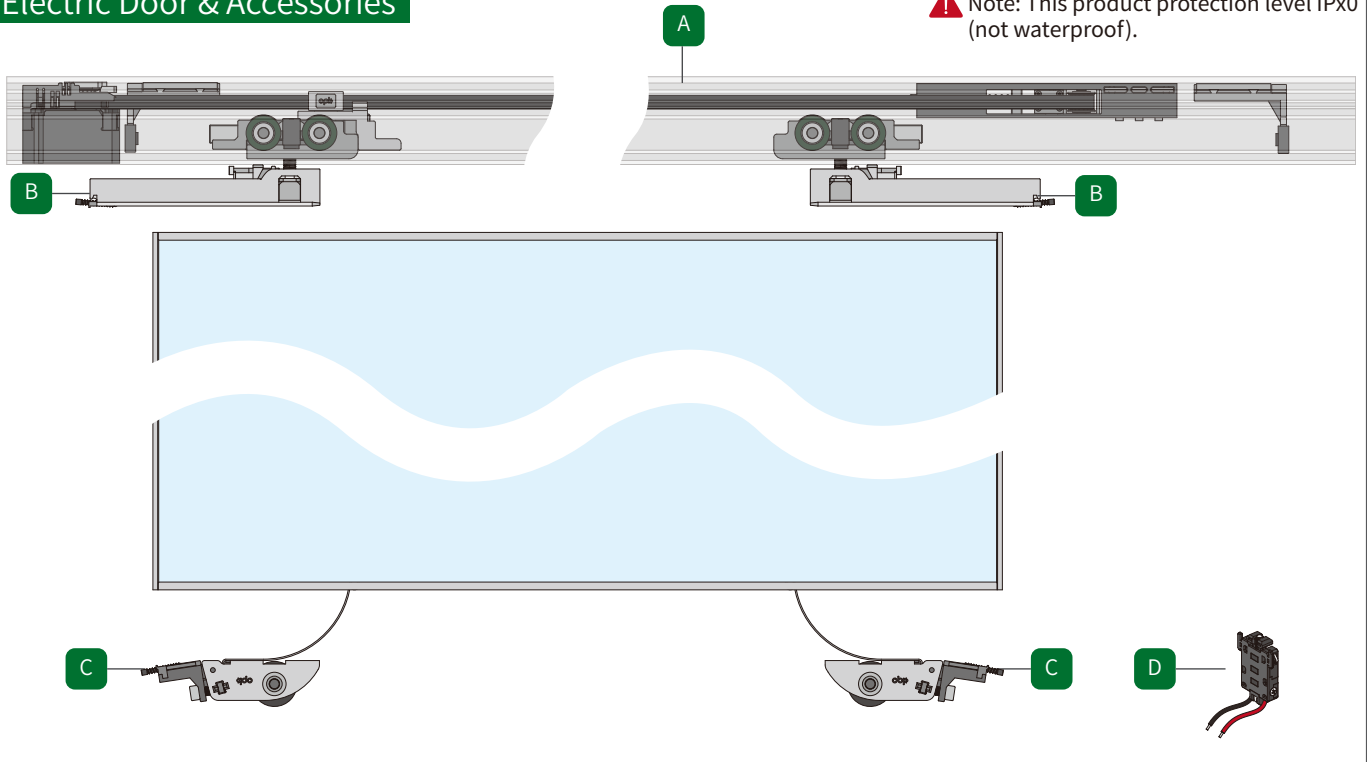


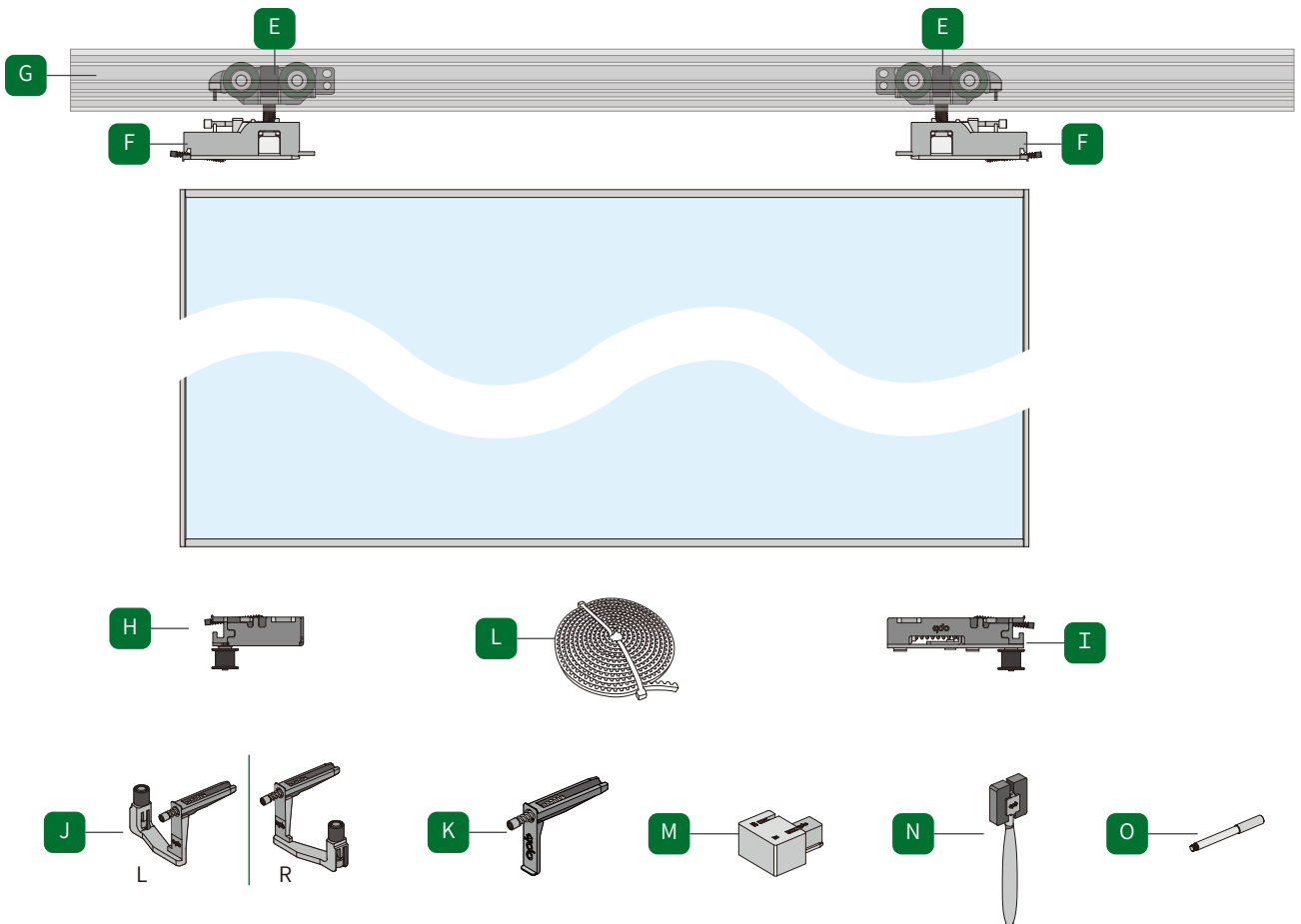
# Perfect FD E-Motion Stacking 3 Doors -Installation Instruction

## Electric Door & Accessories

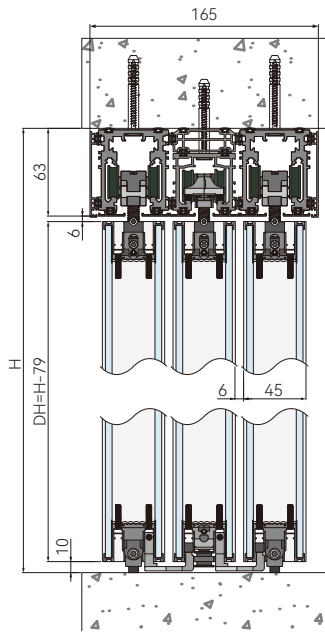
**⚠ Note:** This product protection level IPx0 (not waterproof).



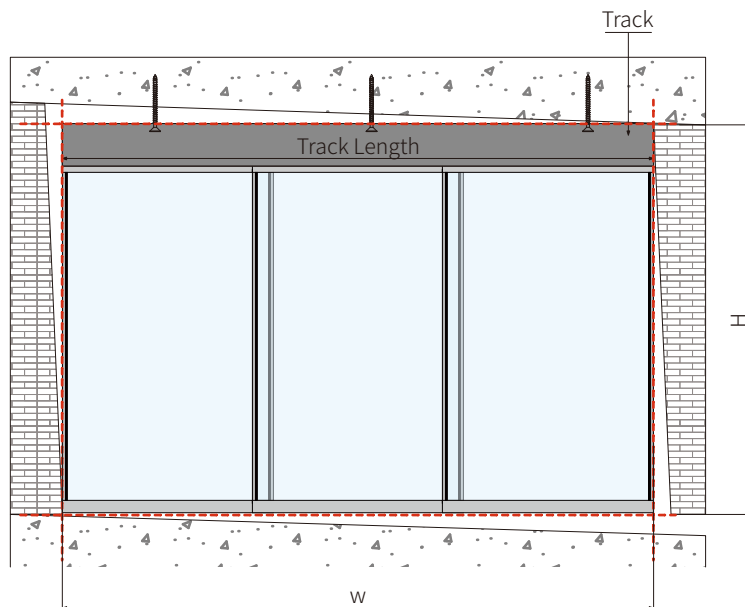
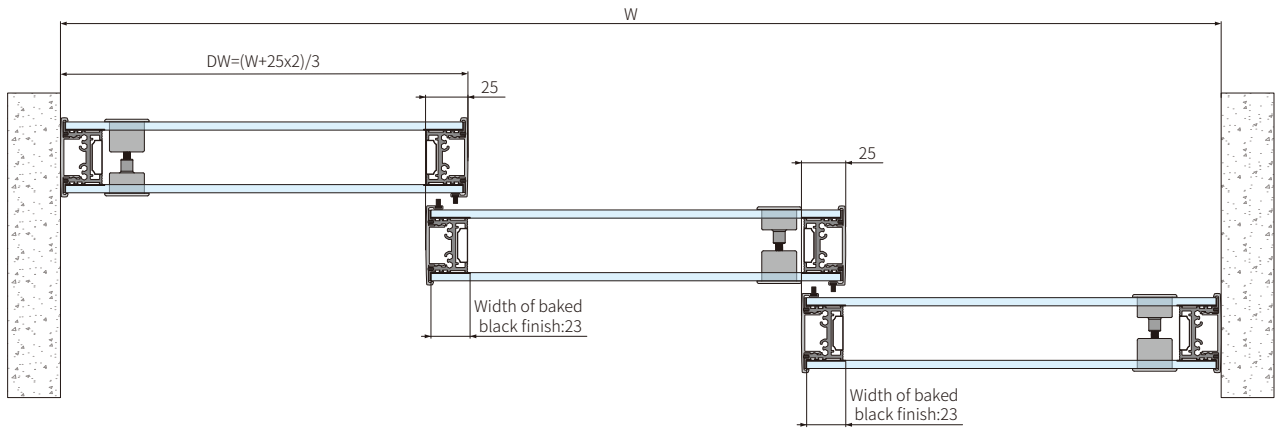
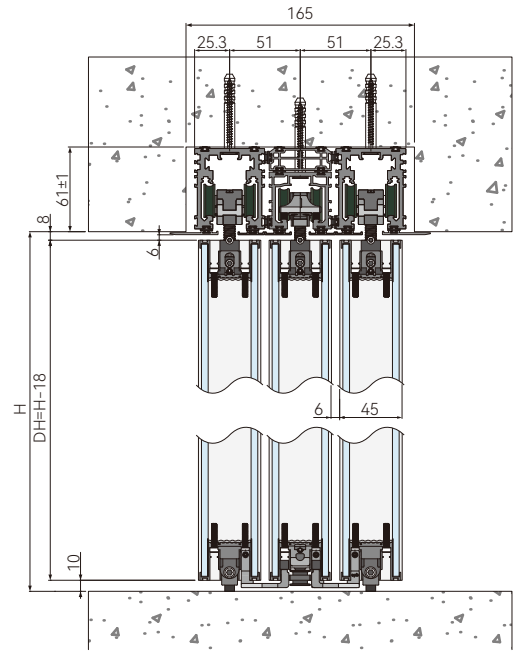
## Middle Door & Accessories



# Surface Mounting



# Concealed Mounting



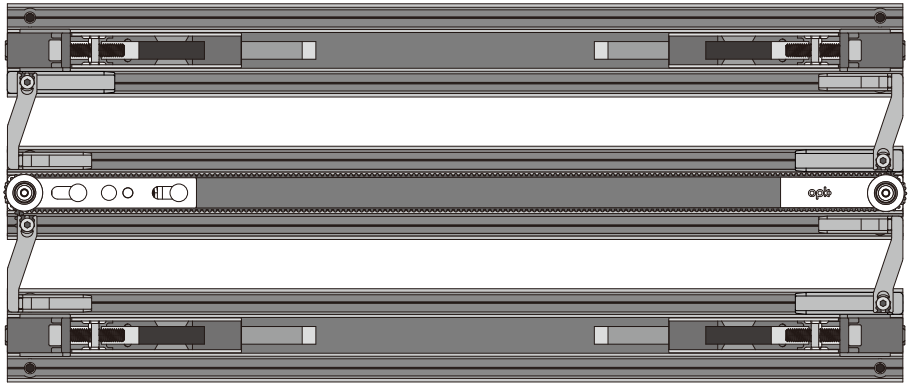
## Synchro Three Doors (Right Opening) Accessories Picture



Electric Door2

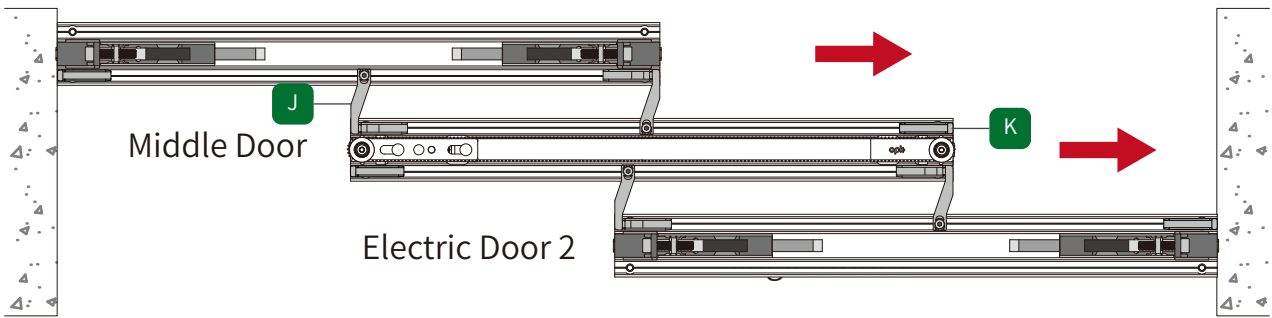
Middle Door

Electric Door1



Electric Door 1

View from bottom: Open the door to the right



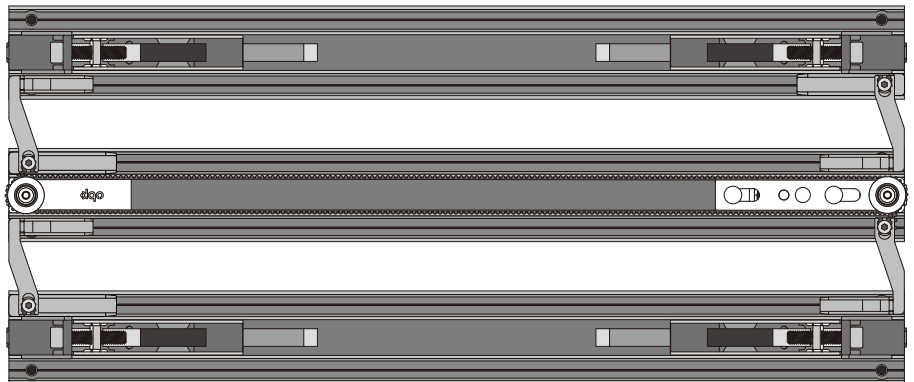
## Synchro Three Doors (Left Opening) Accessories Picture



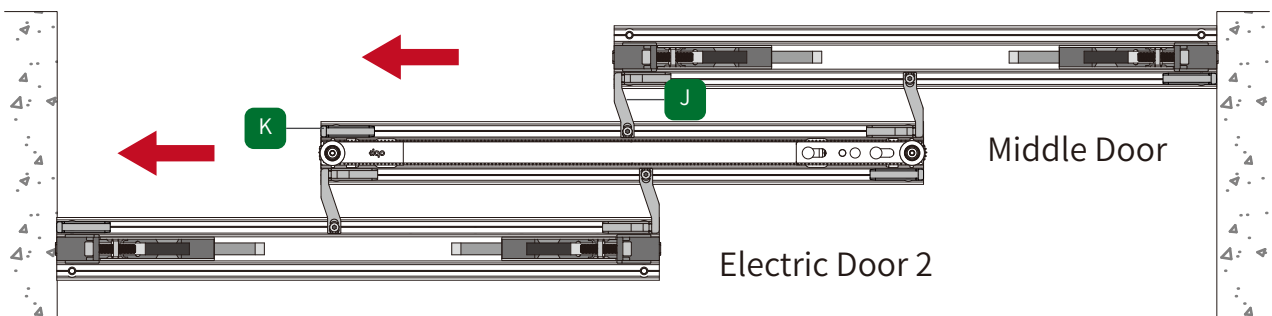
Electric Door2

Middle Door

Electric Door1

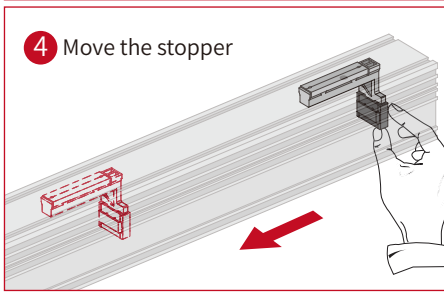
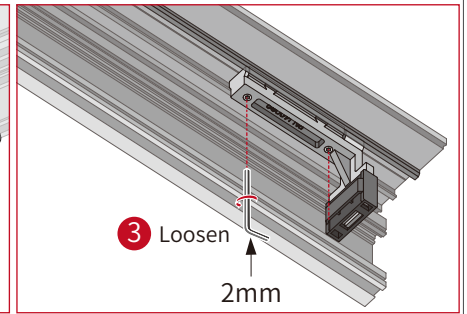
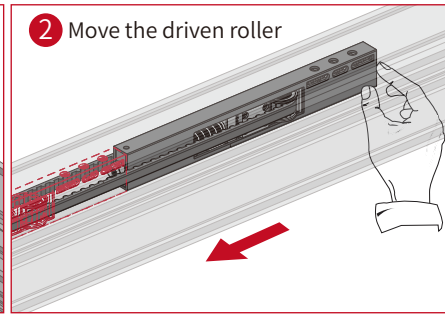
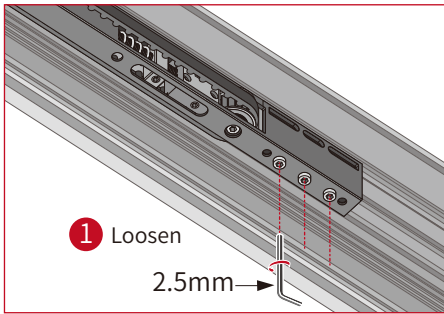
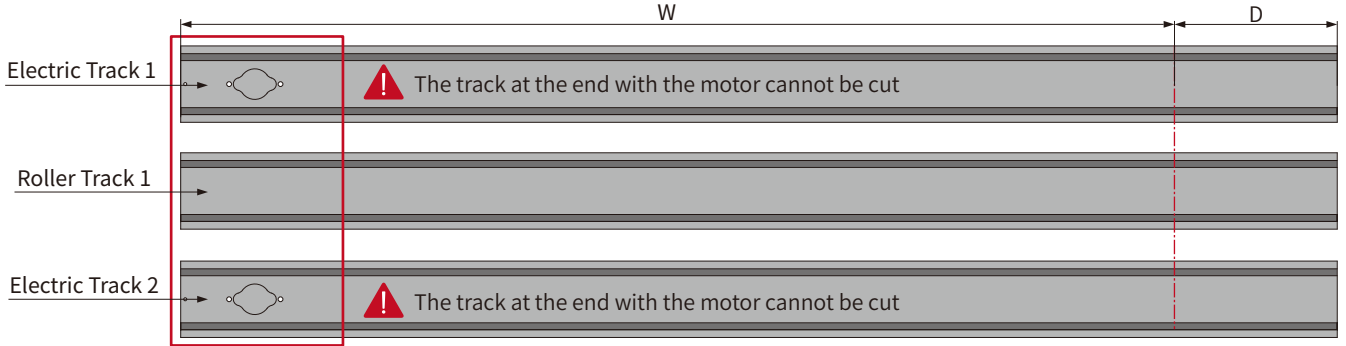


View from bottom: Open the door to the left



# 1-1 Cutting Track

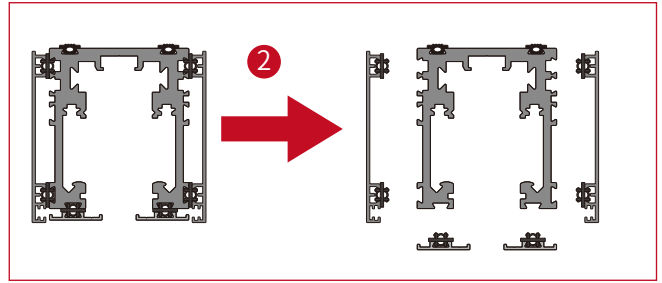
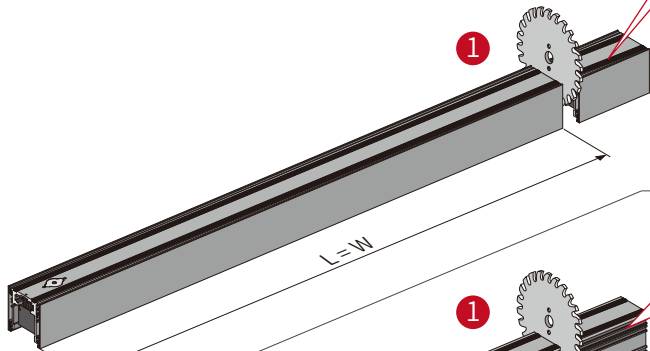
D=The Length of the Track Cutting



**1-2** Cut the Profiles    Disassemble the Profiles

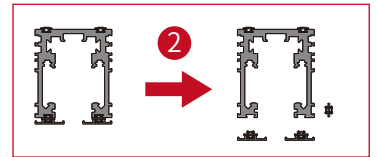
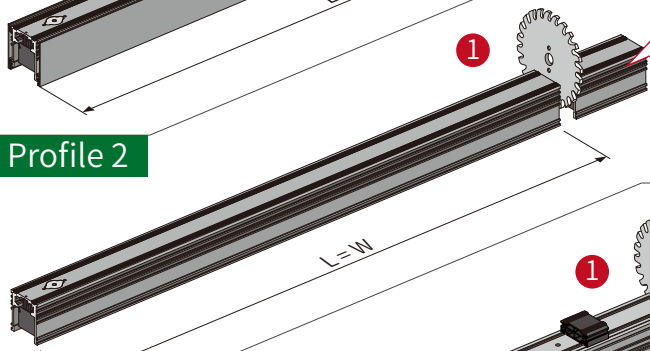
**Profile 1**

⚠ Cut from the uneven side of the profiles



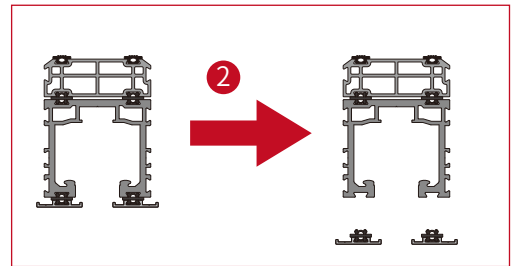
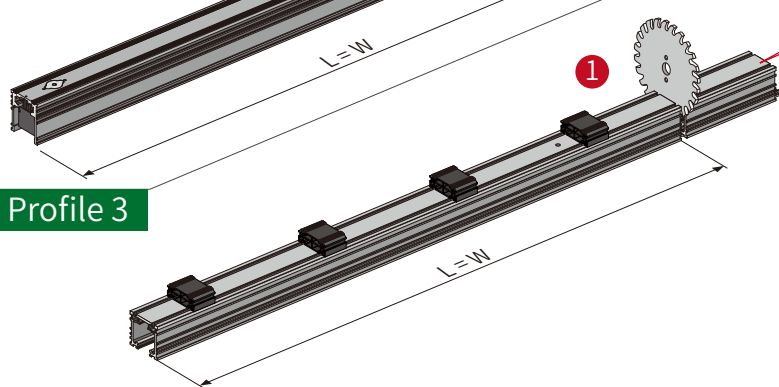
**Profile 2**

⚠ Cut from the uneven side of the profiles



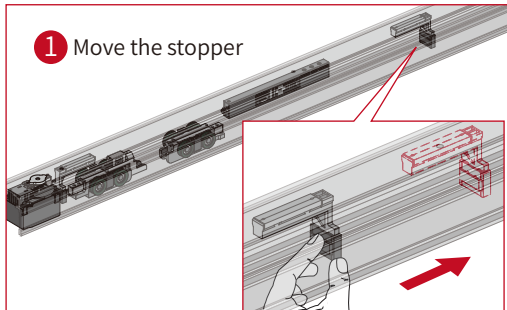
**Profile 3**

⚠ Cut from the uneven side of the profiles

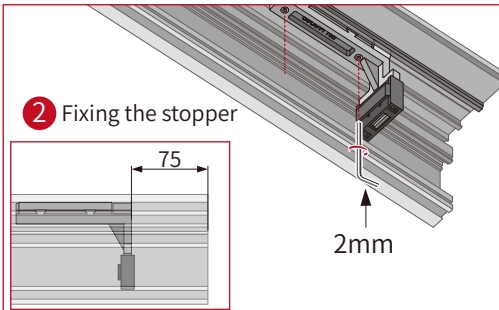


**2** Adjust the Belt

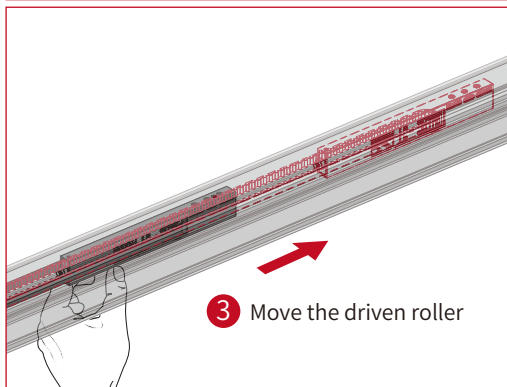
1 Move the stopper



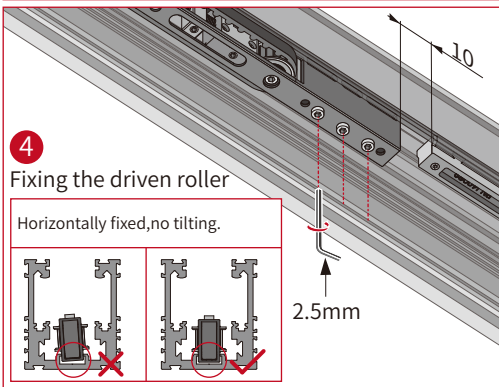
2 Fixing the stopper



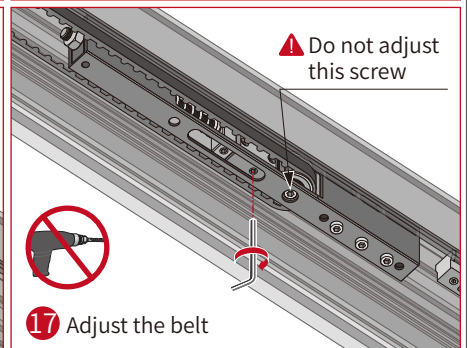
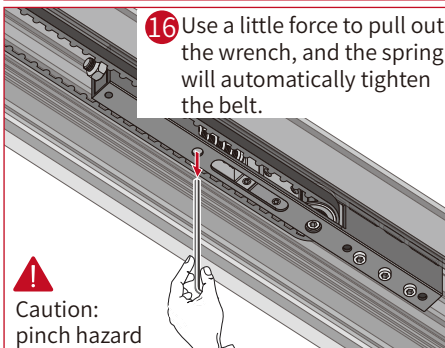
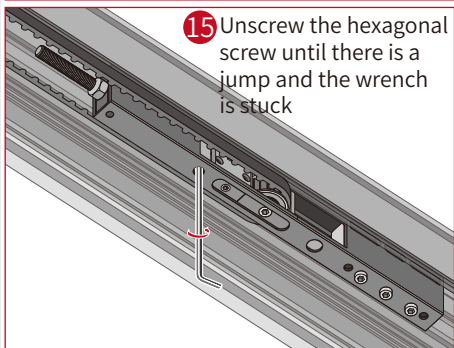
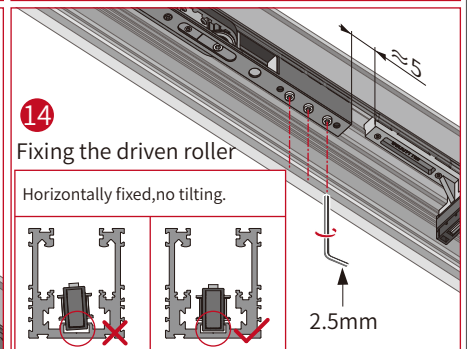
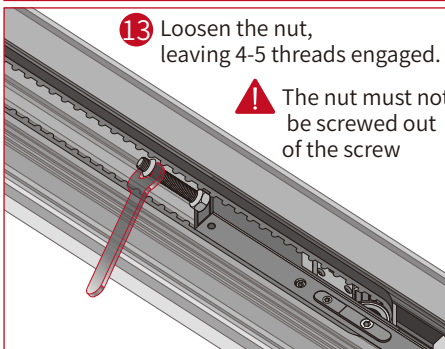
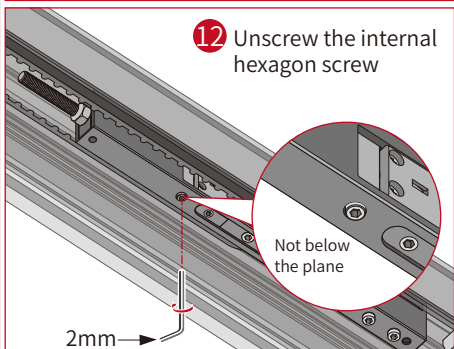
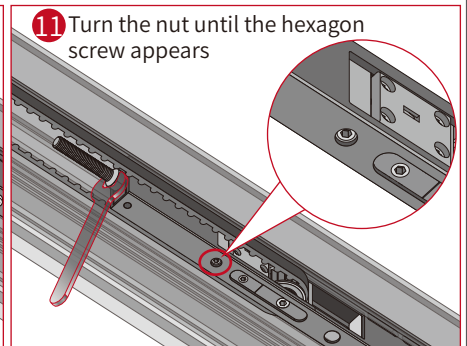
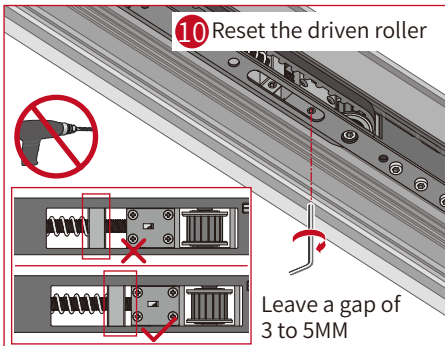
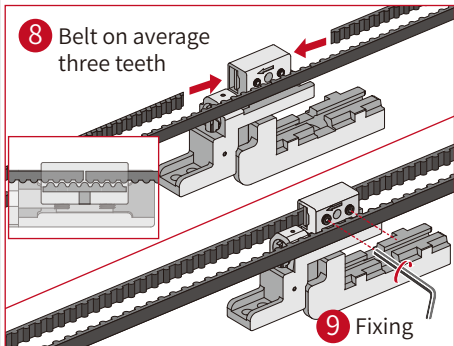
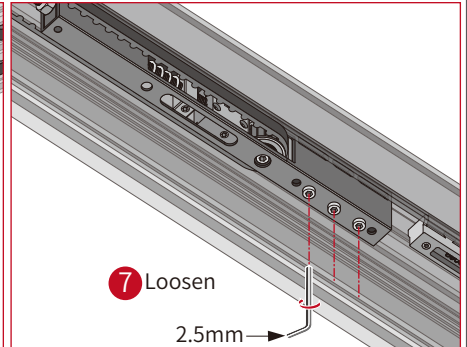
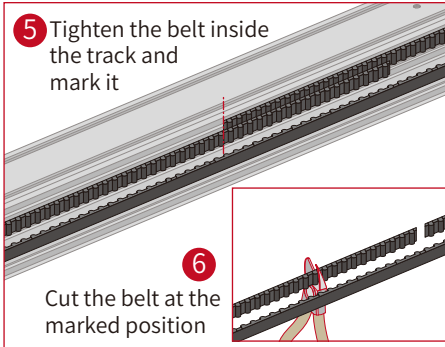
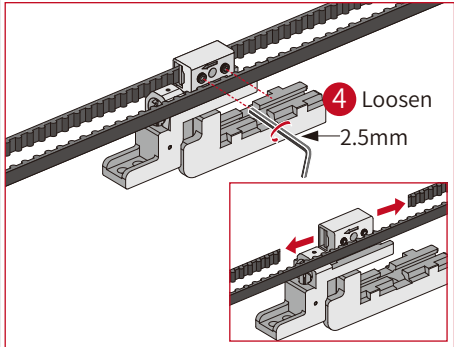
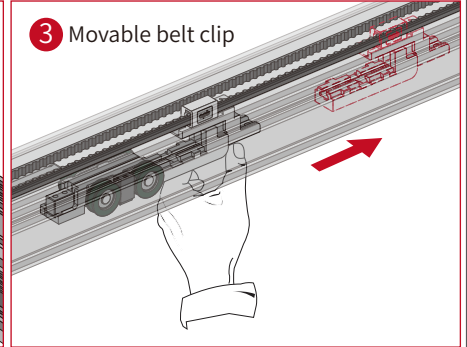
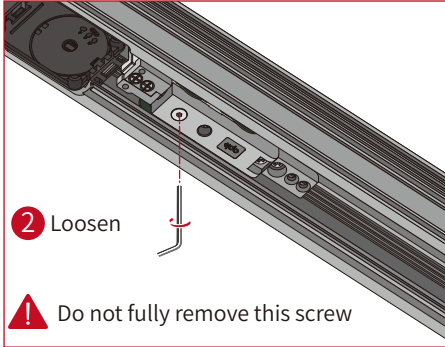
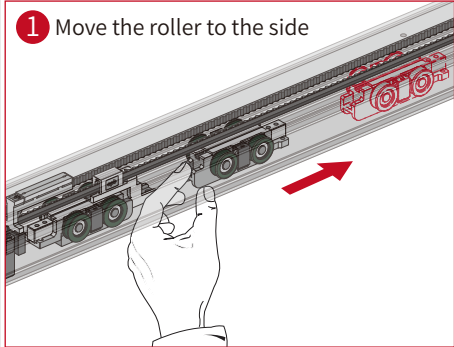
3 Move the driven roller



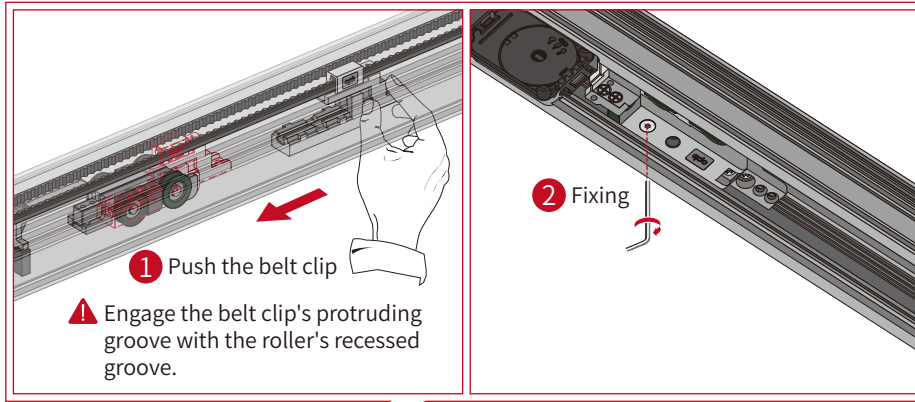
4 Fixing the driven roller



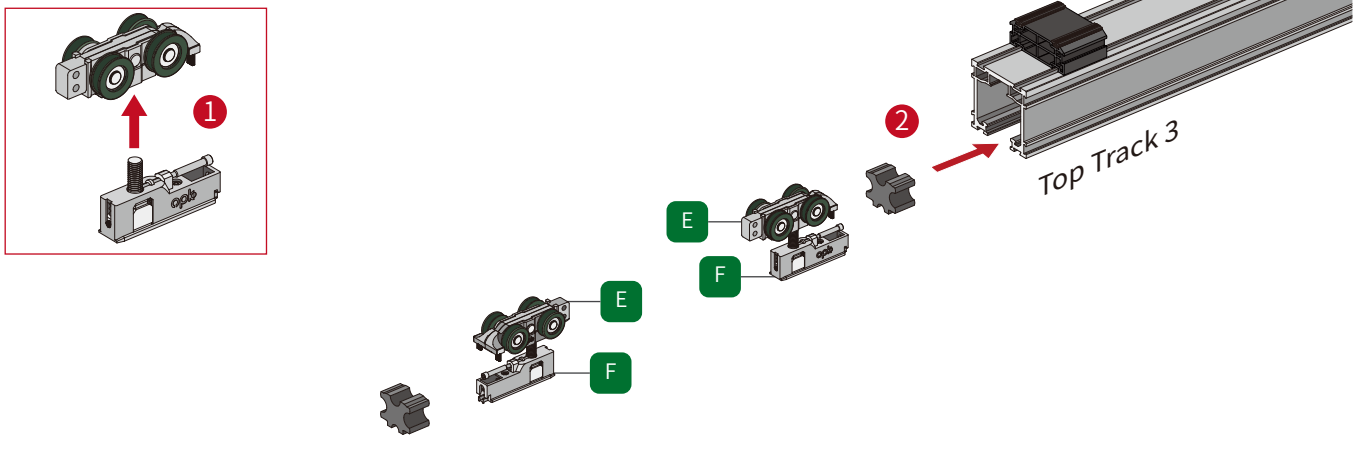
### 3 Adjust the Belt Connecting Track Profiles



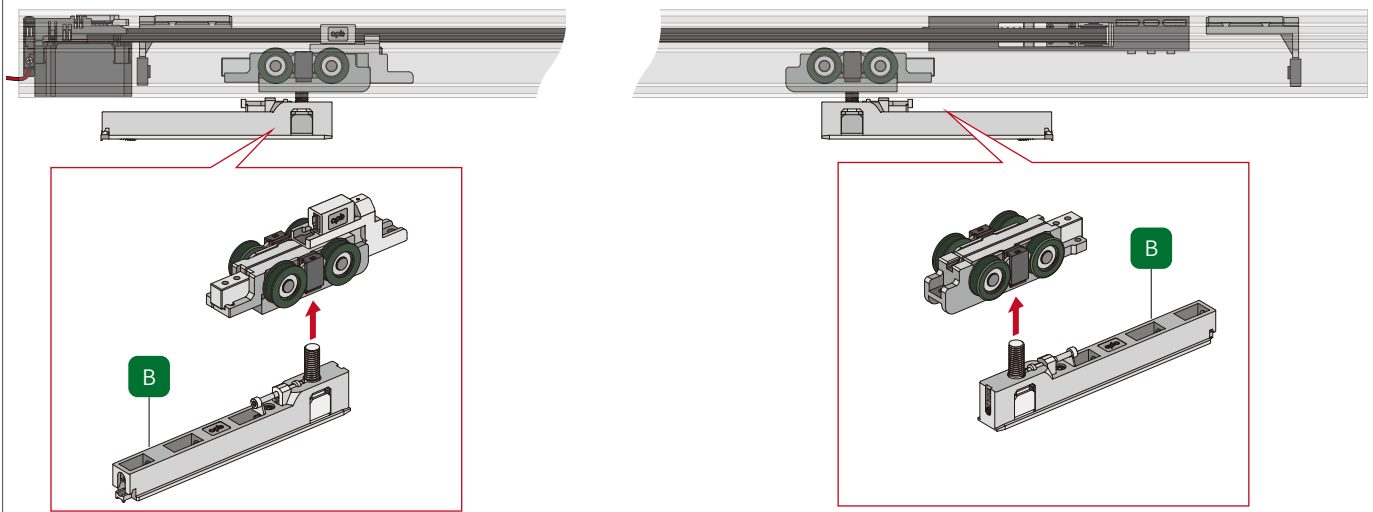
#### 4 Install the Belt Clip for the Electric Door



#### 5 Install the Roller and Hinge Box

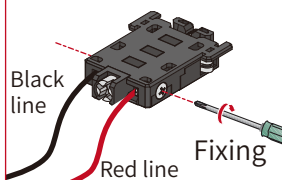


#### 6 Install Hanging Box of the Electric Door

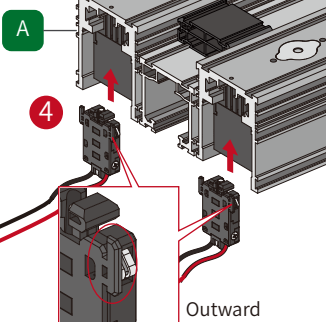
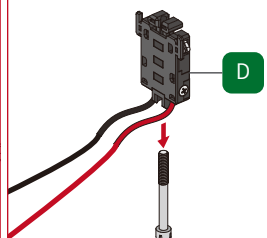


# 7 Install the Power Terminal and the Track

2 Power terminal wiring

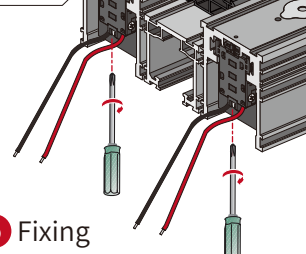


3 Pull out the long rod screw

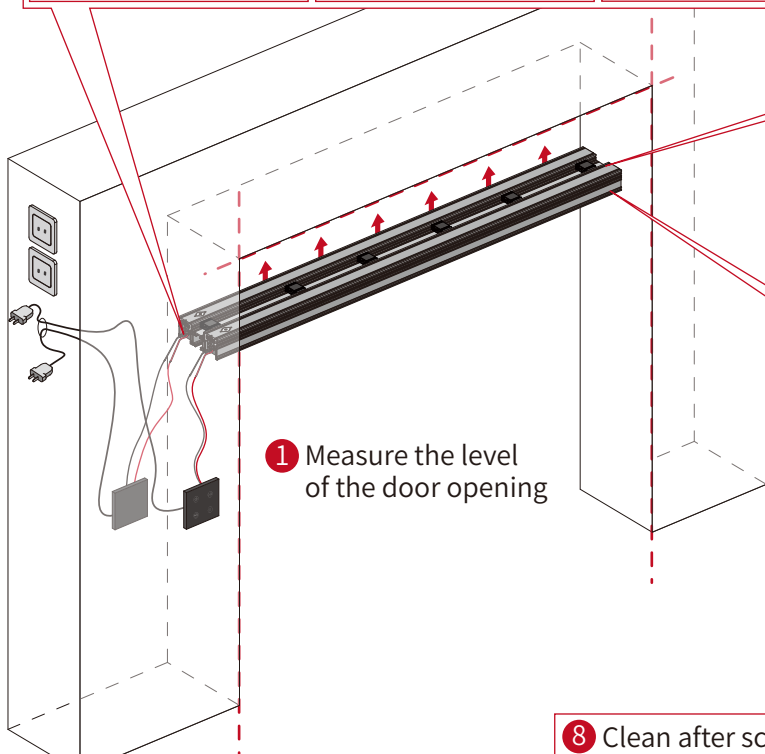


Level the edge of the track

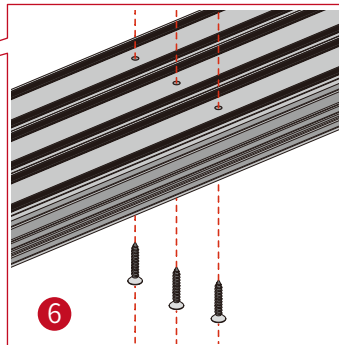
5 Fixing



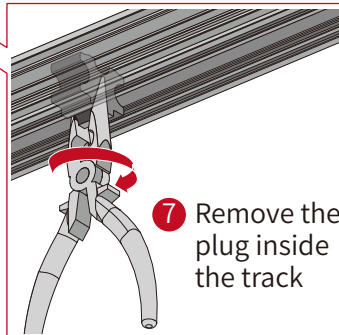
1 Measure the level of the door opening



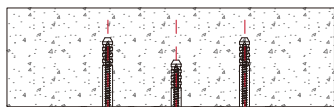
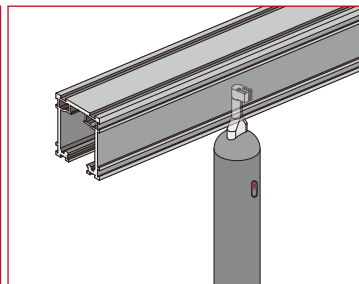
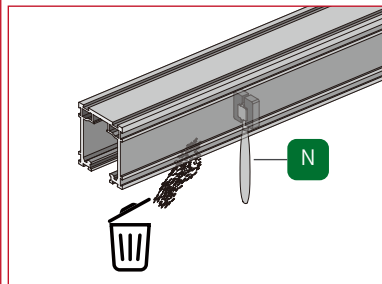
6



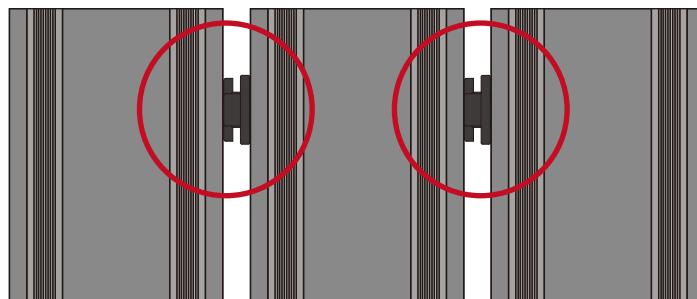
7 Remove the plug inside the track



8 Clean after screwing

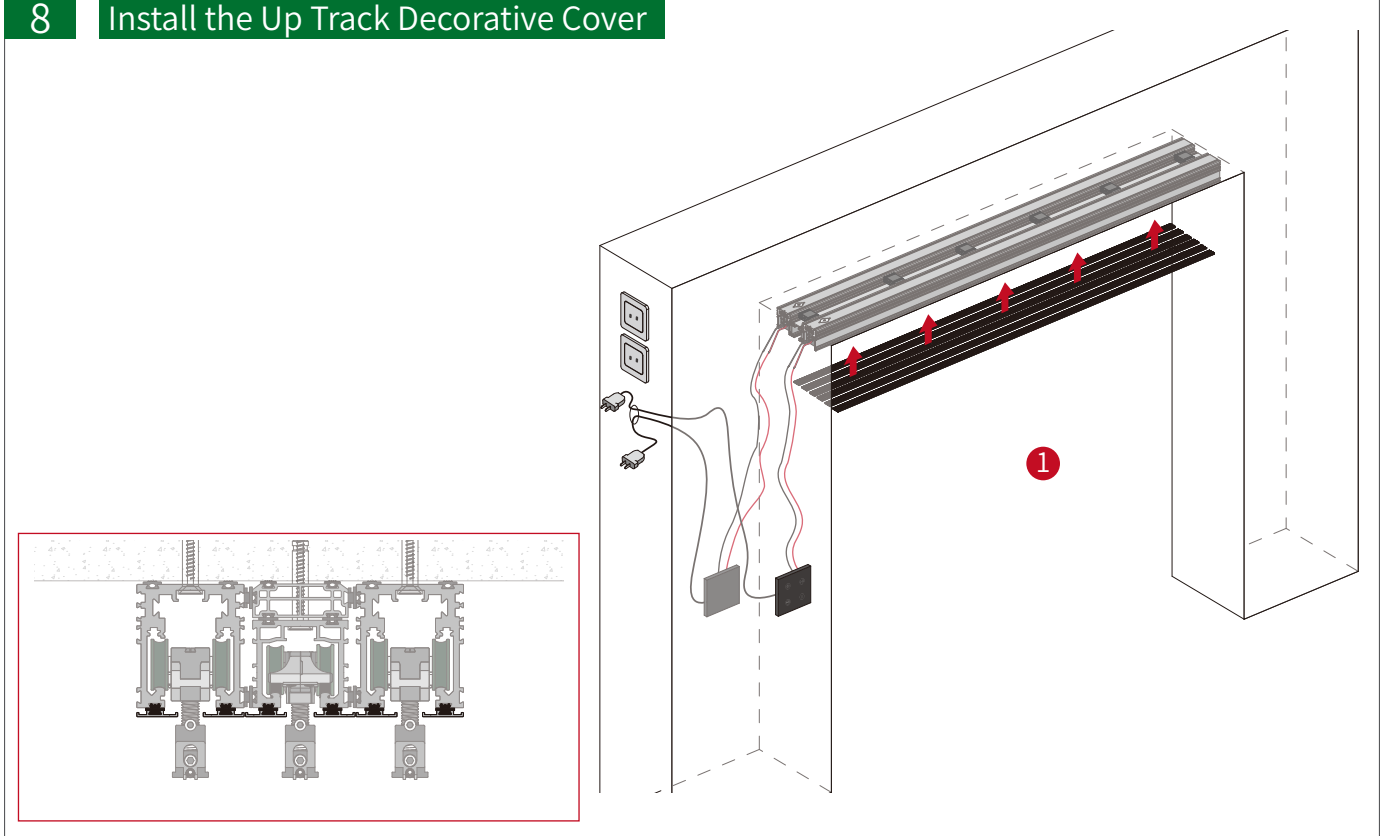


Top Track 1 Top Track 2 Top Track 3

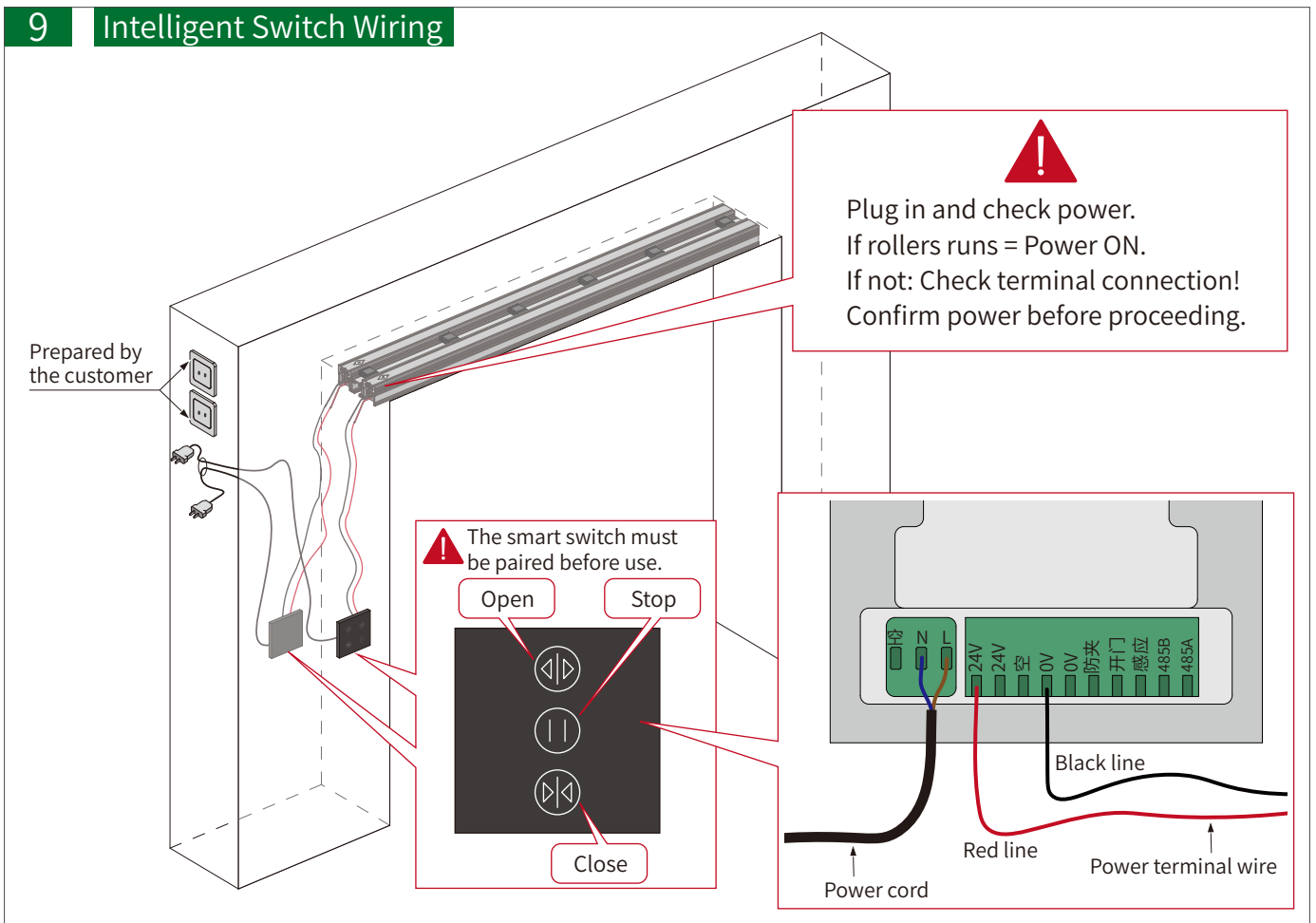


Must be tight!  
No gap is allowed!

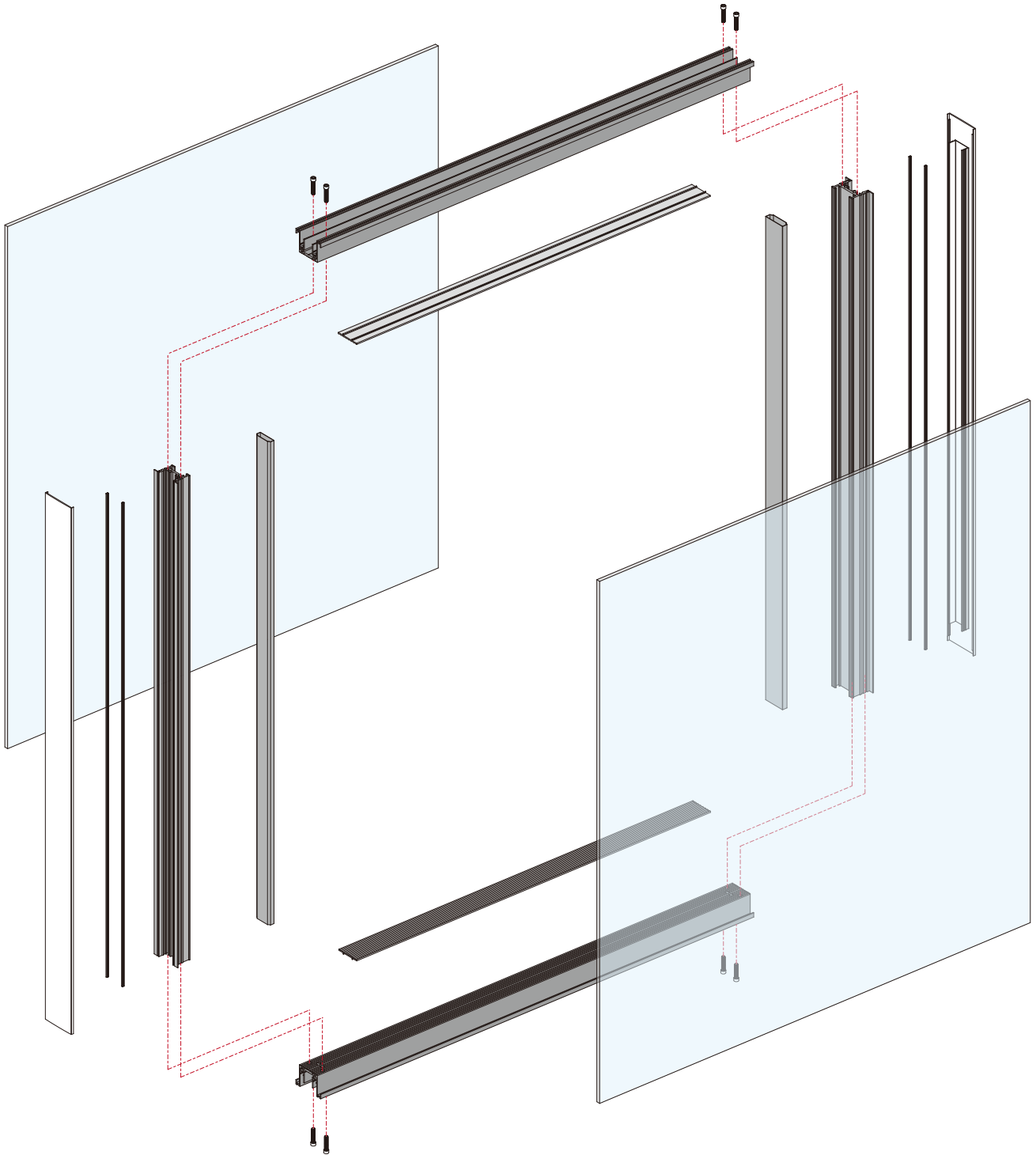
## 8 Install the Up Track Decorative Cover



## 9 Intelligent Switch Wiring

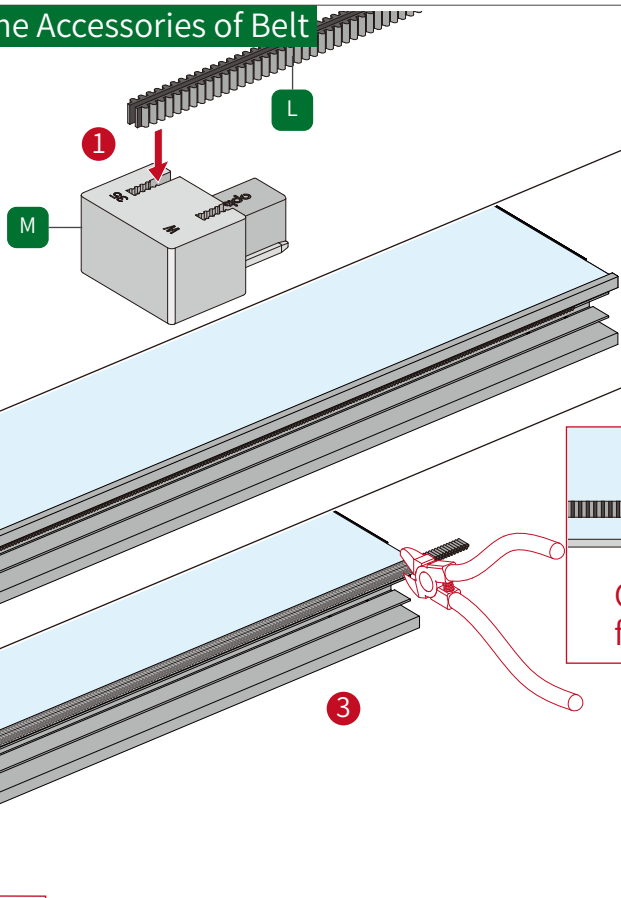
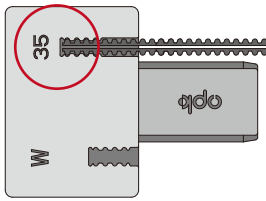


⚠ Please refer to the door body production manual for detailed installation



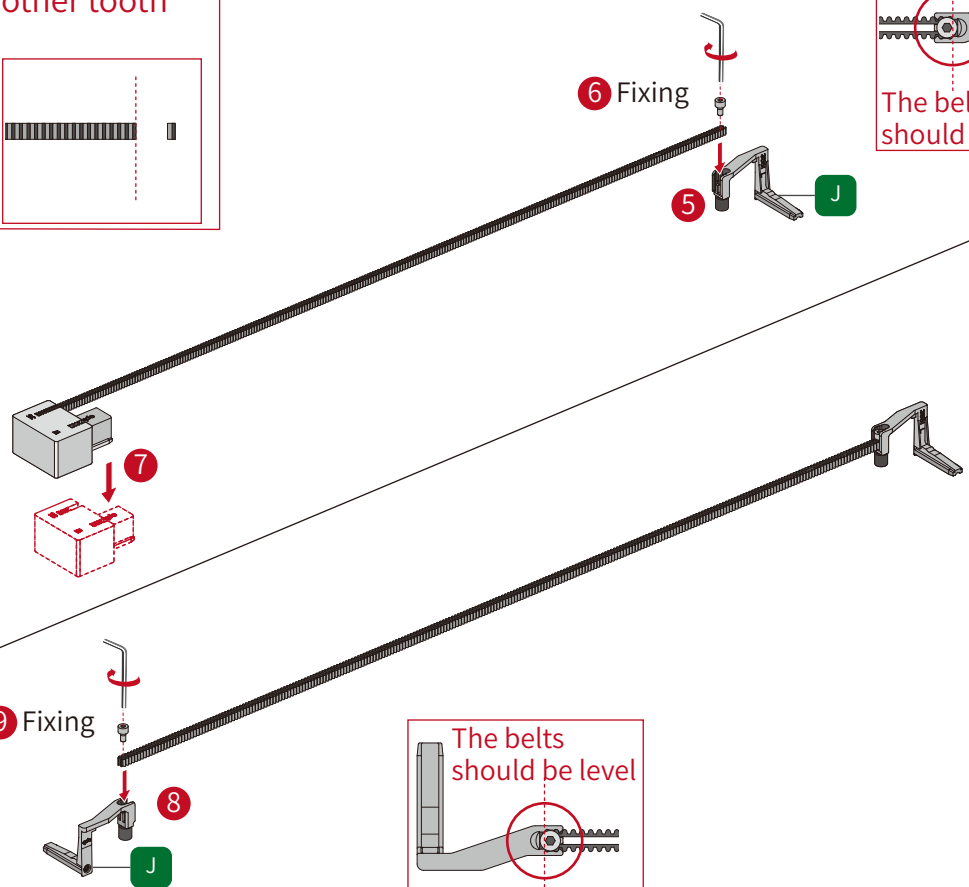
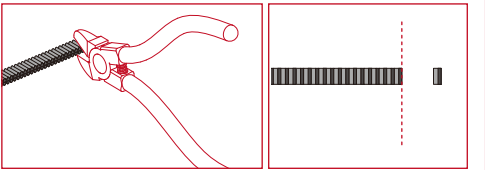
# 11 Cutting-belt Install the Accessories of Belt

According to the thickness of the door, confirm the use of belt mold



Cut the door frame flush

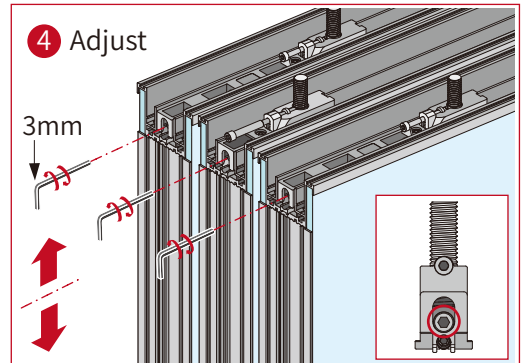
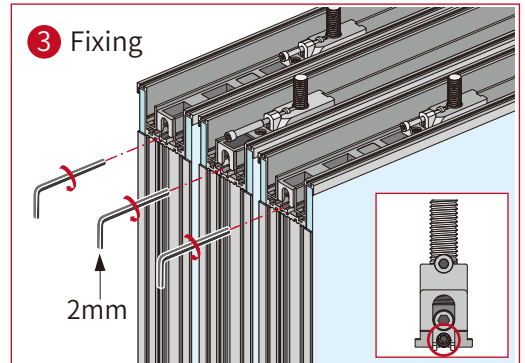
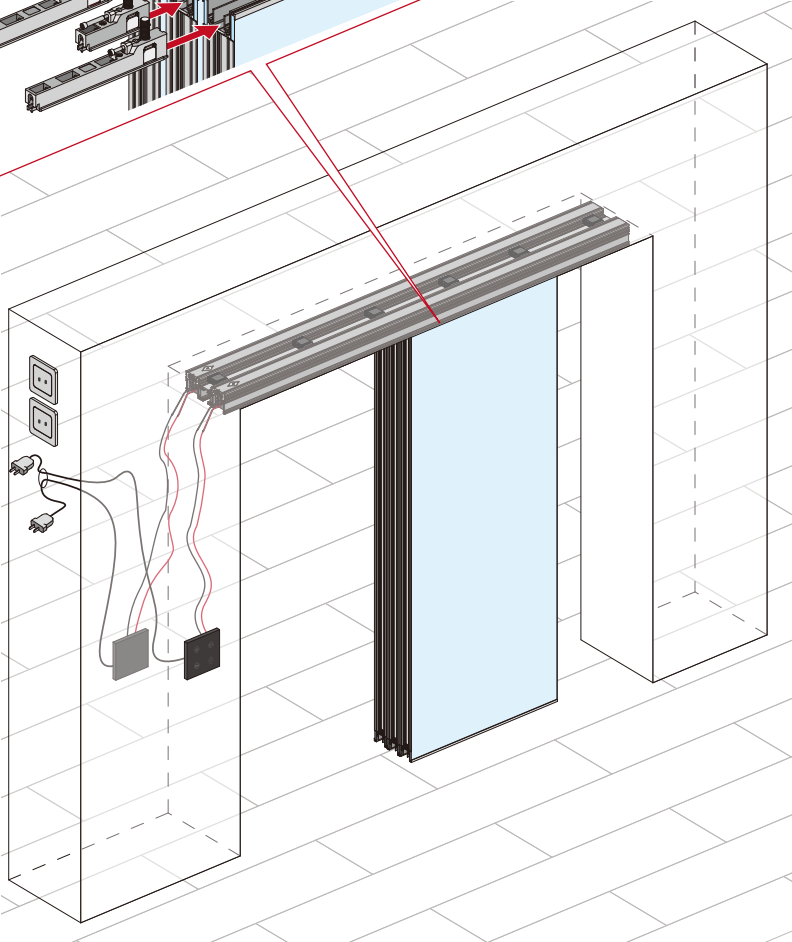
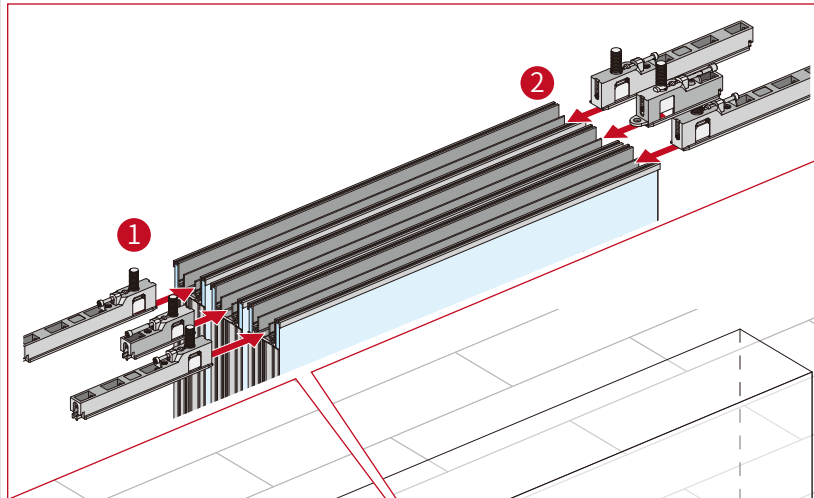
4 After cutting the door frame straight, cut another tooth

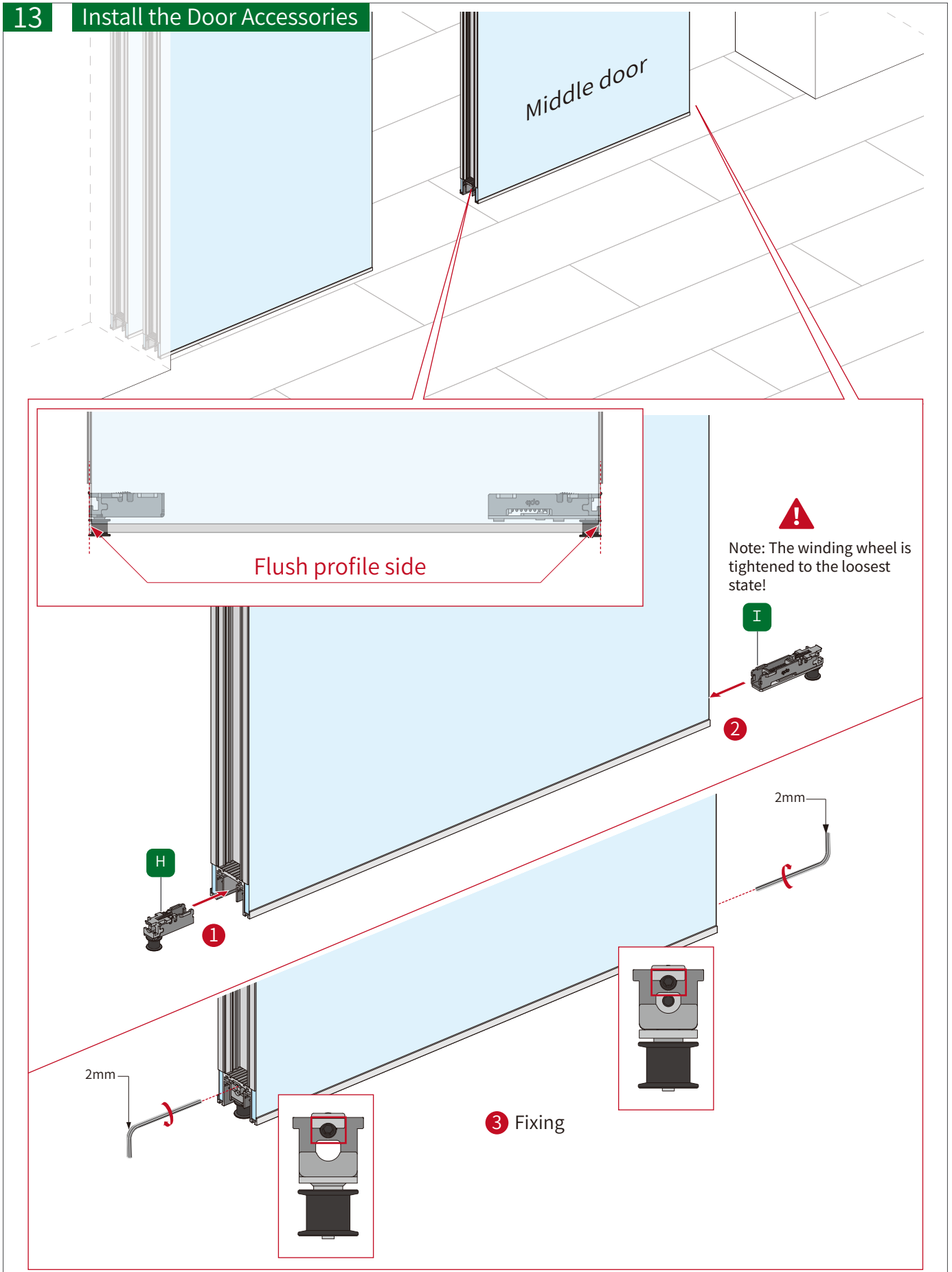


The belts should be level

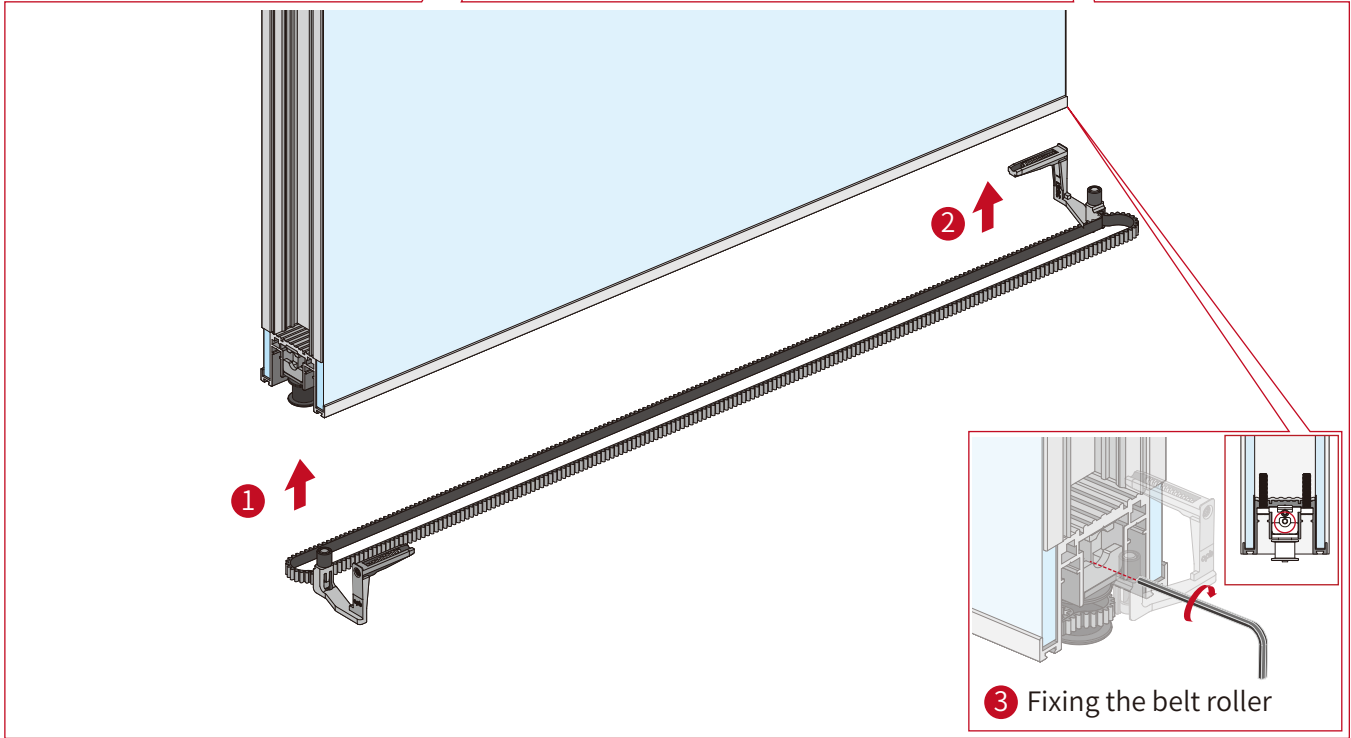
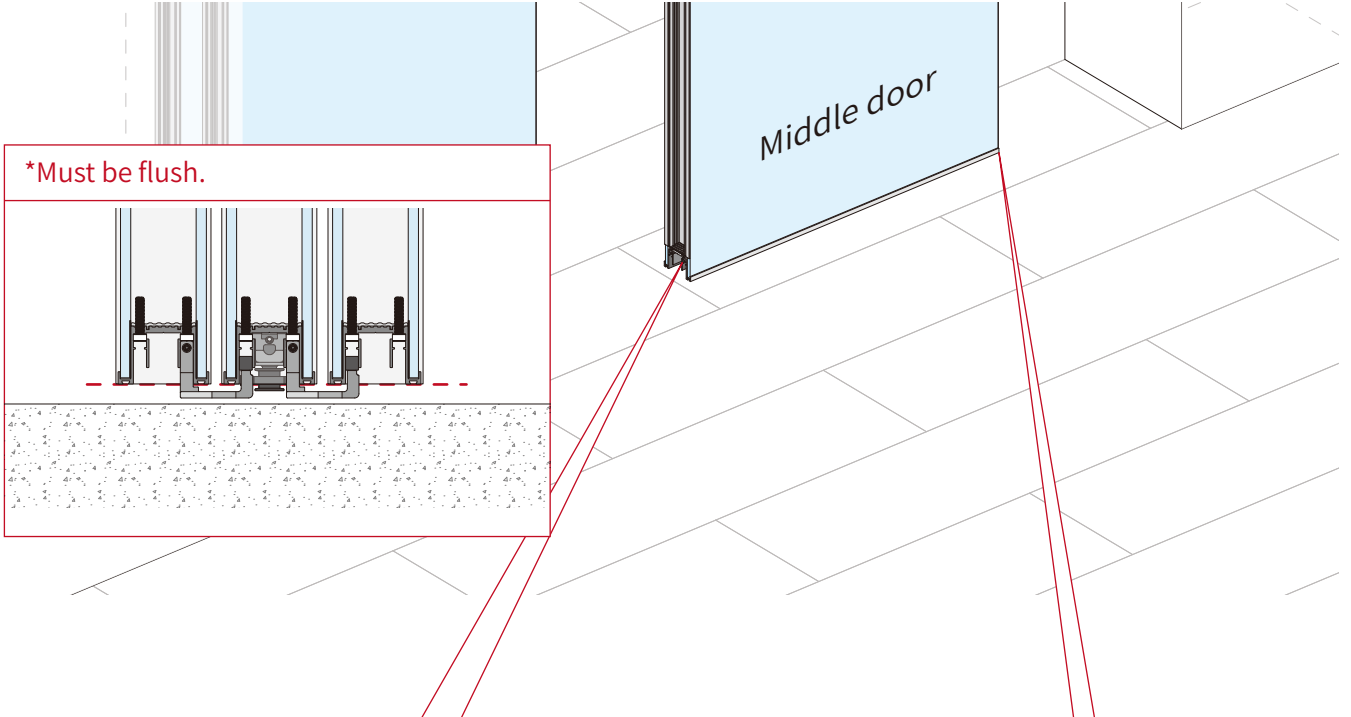
The belts should be level

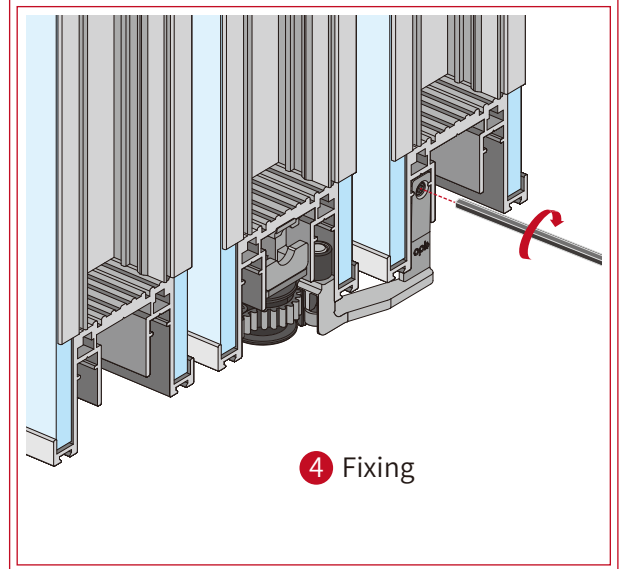
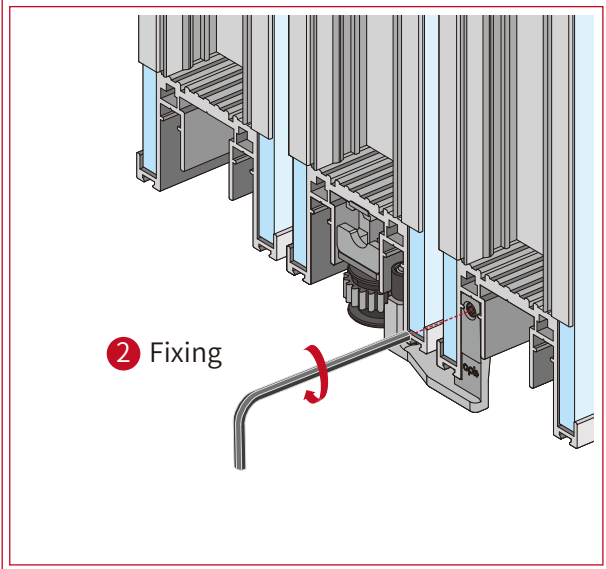
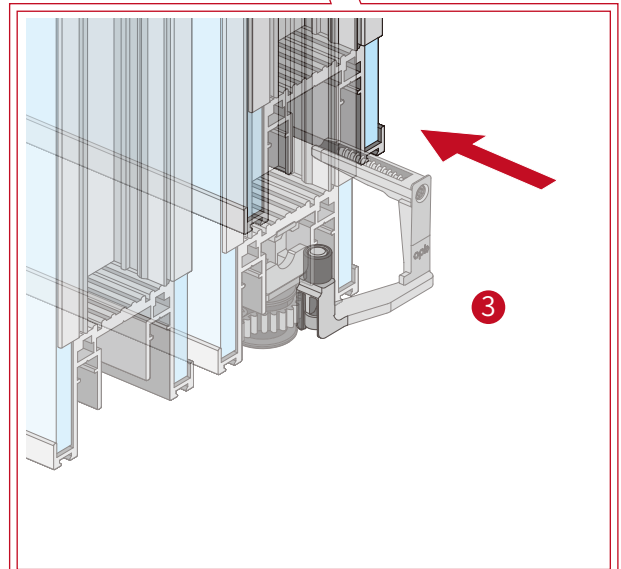
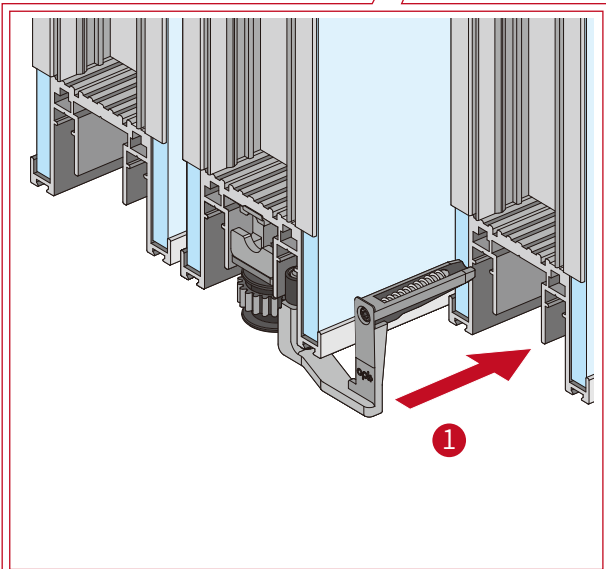
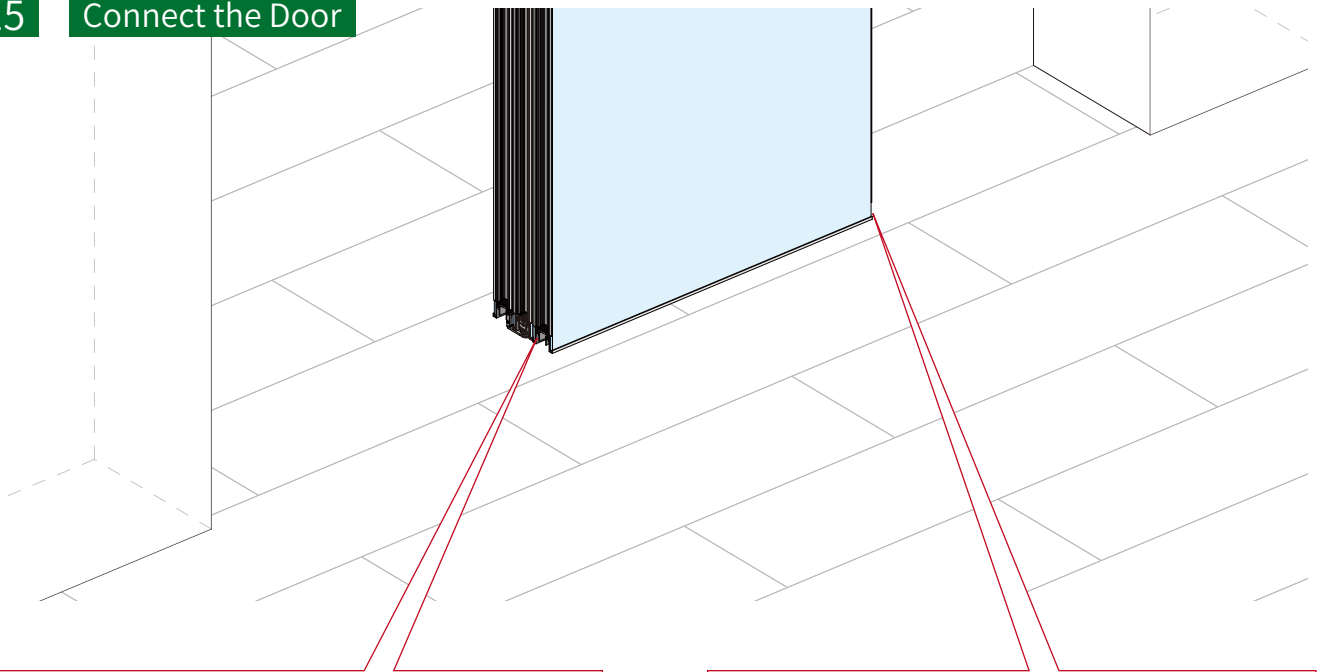
## 12 Install the Door

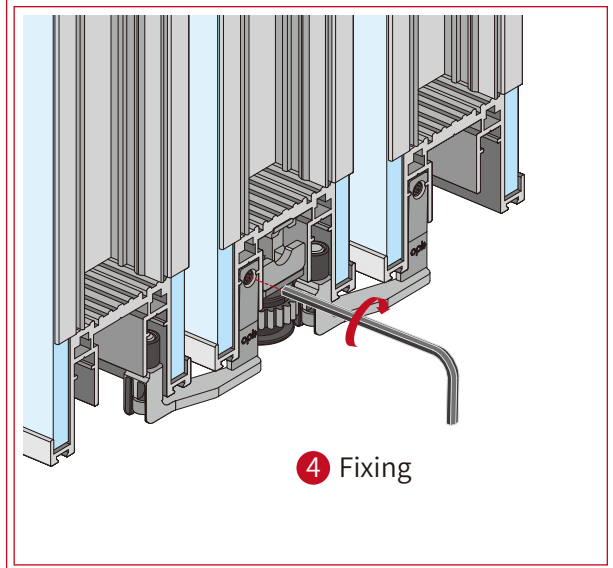
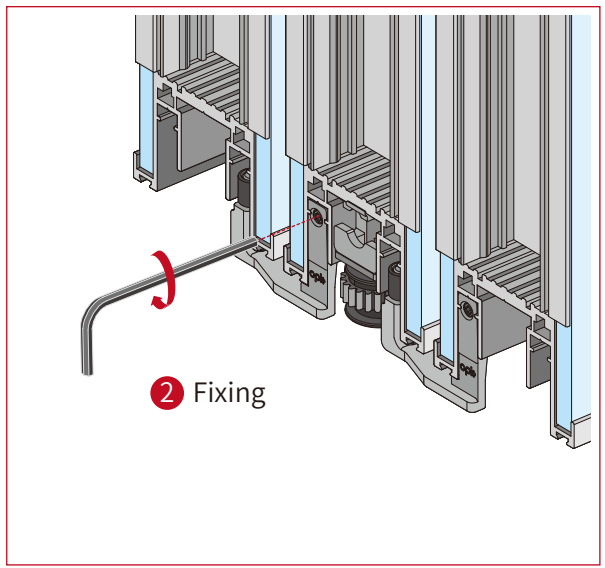
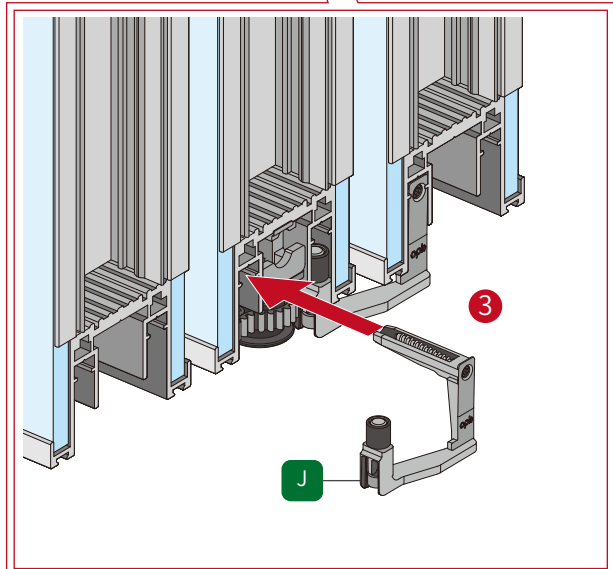
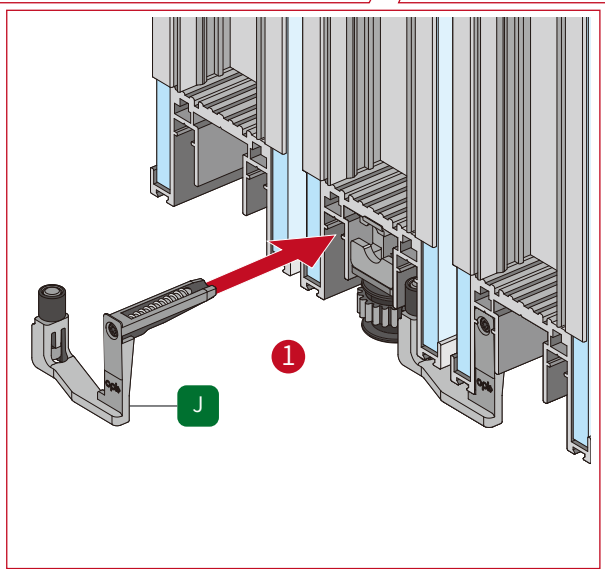
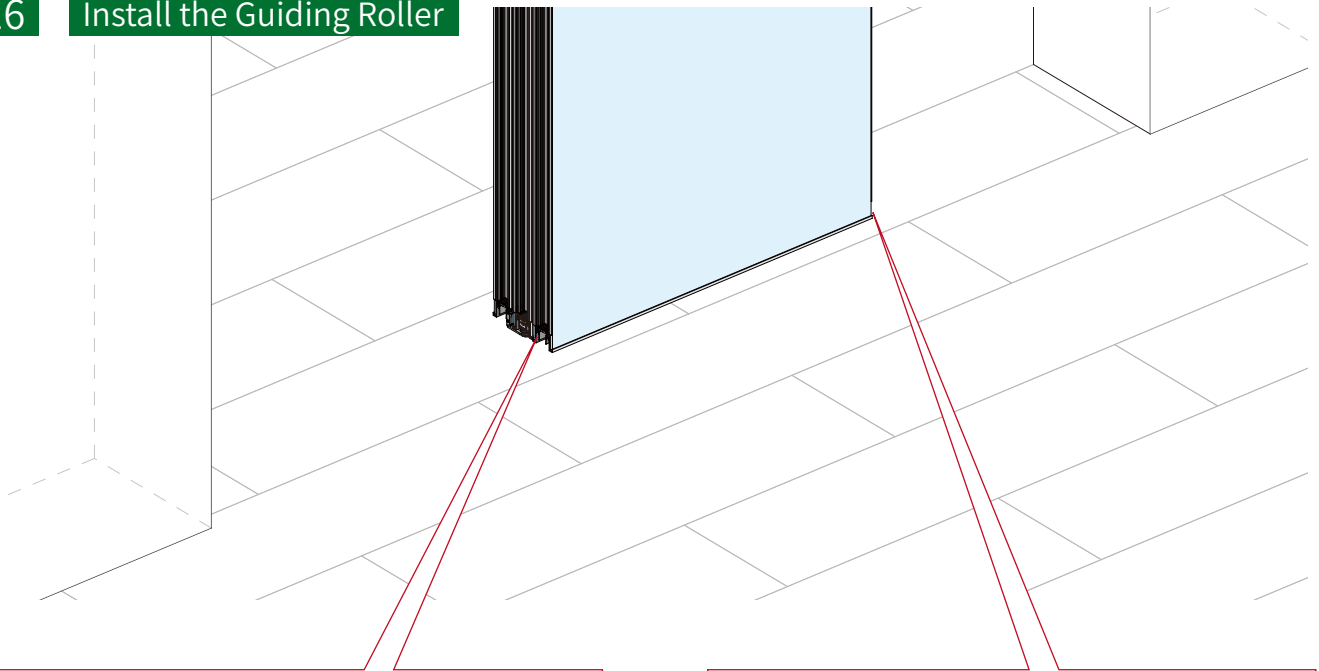




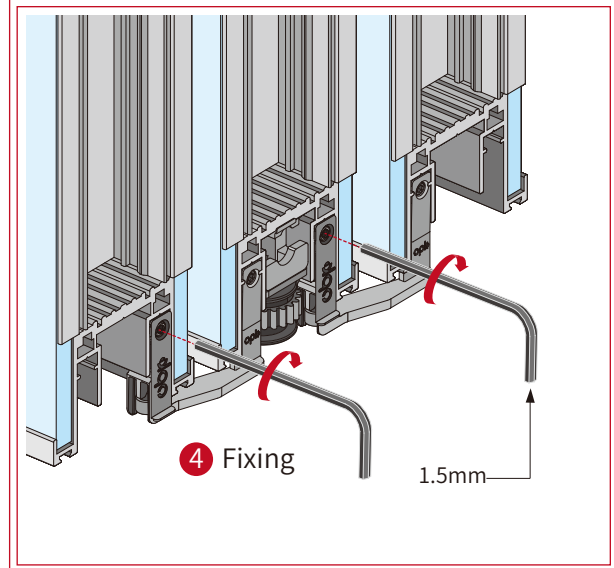
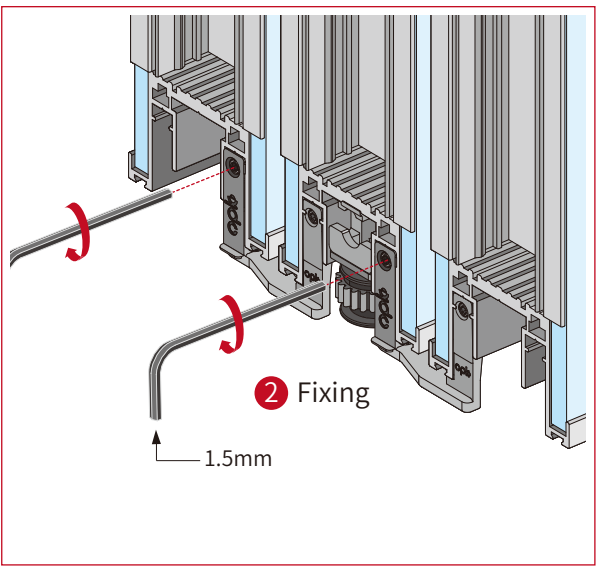
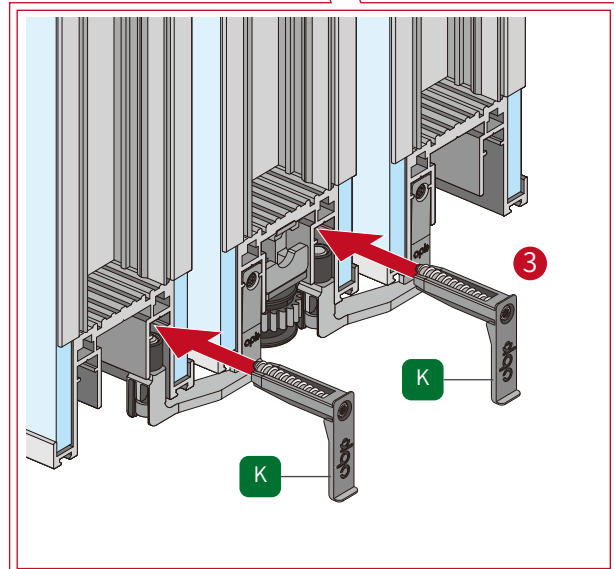
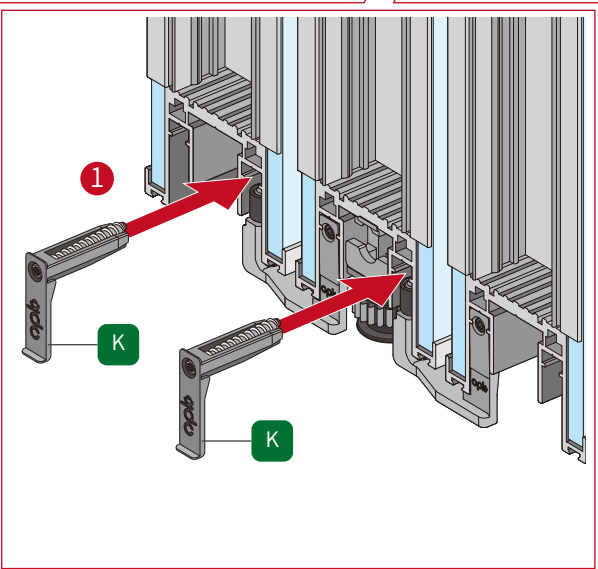
# 14 Install the Belt

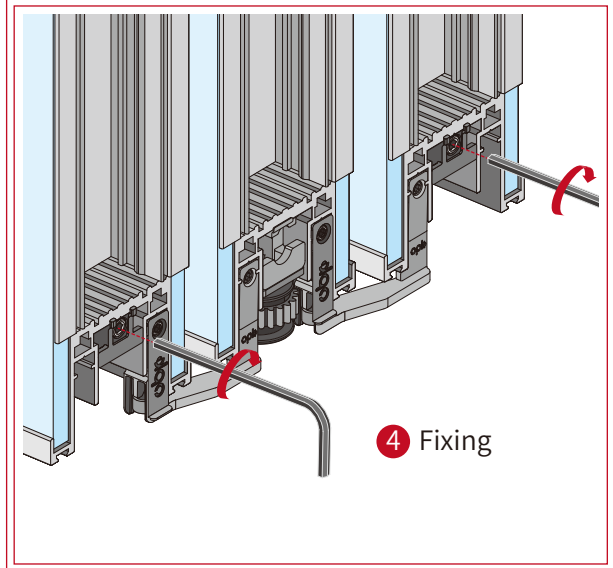
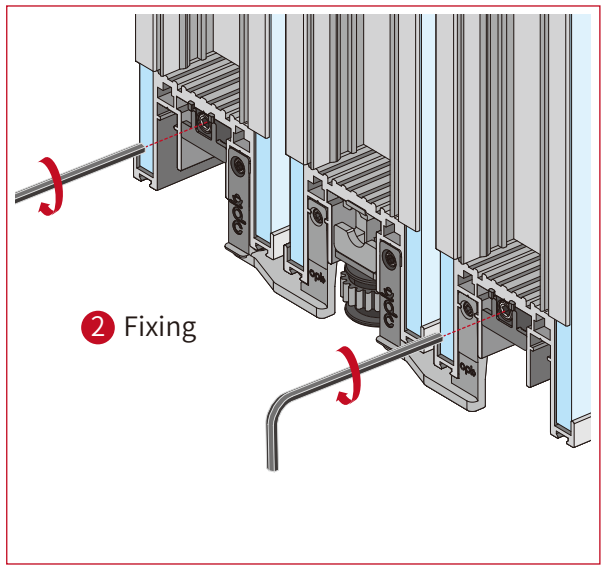
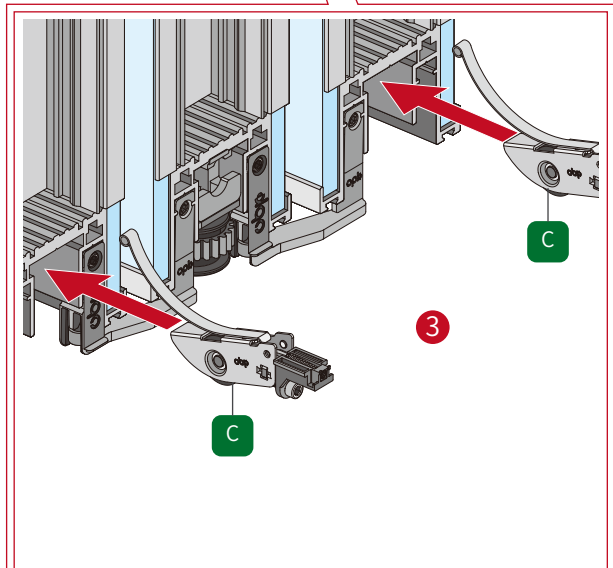
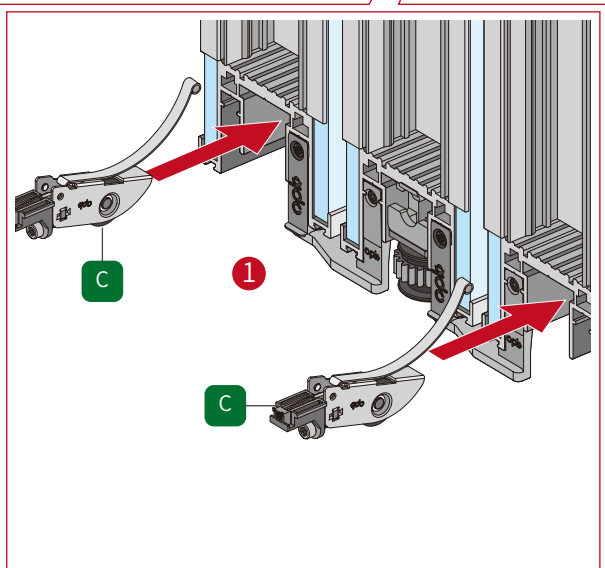
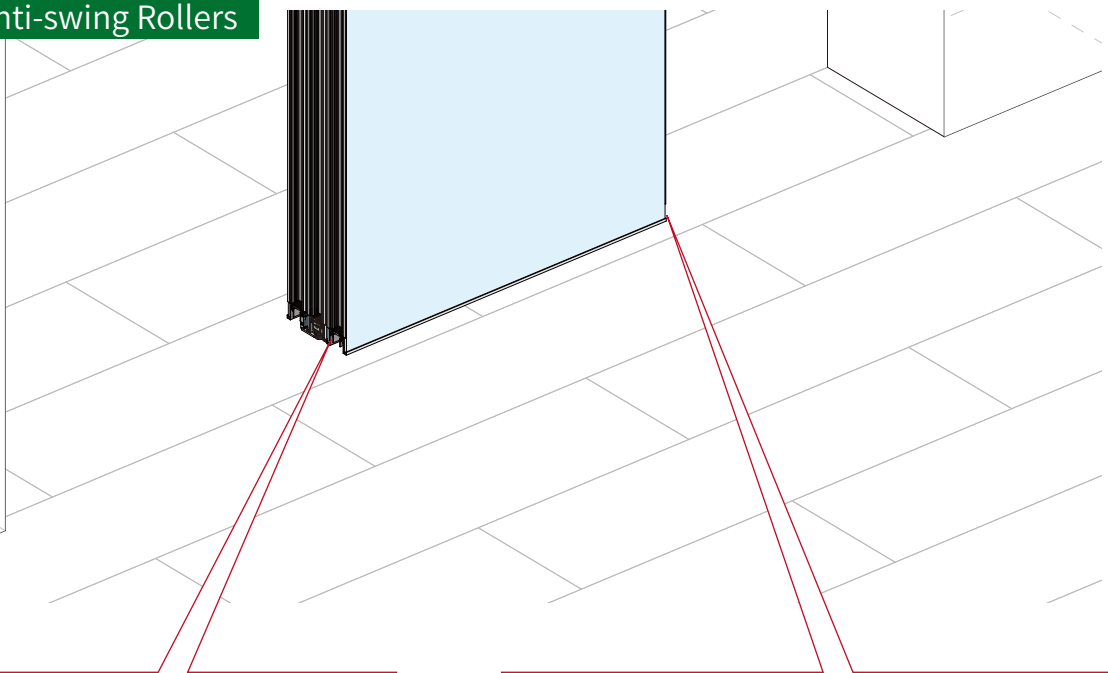






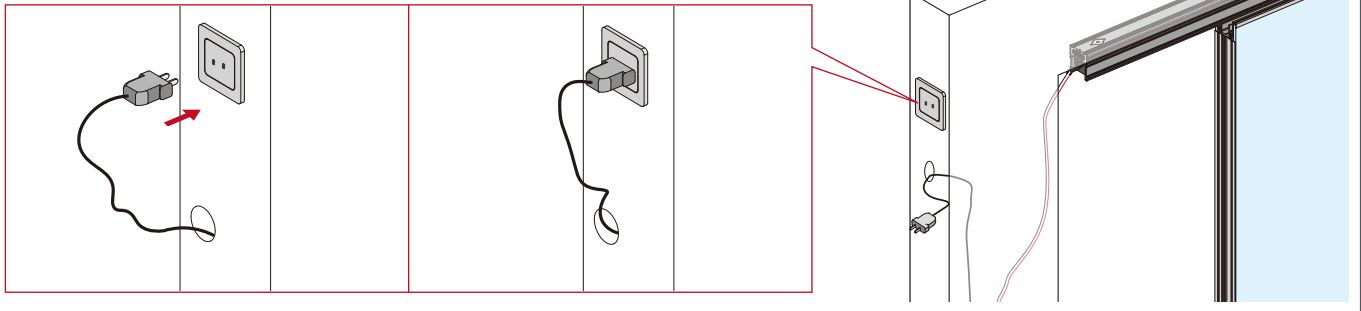
# 17 Install the Anti-pushing or Anti-pulling Fittings





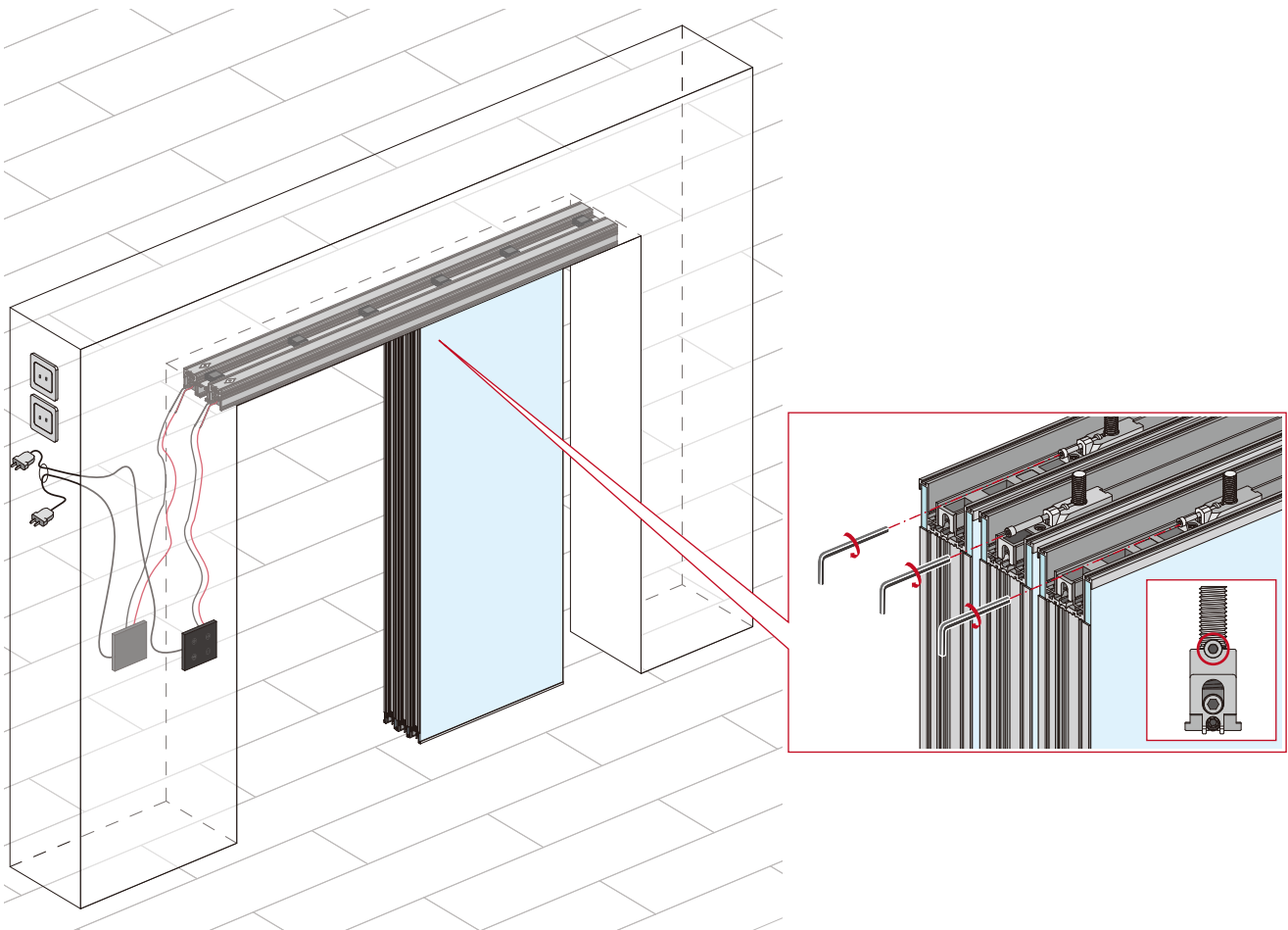
## 19 Power-on Learning

⚠ After the door stops after powering on, it must be connected to the APP and click the learning button on the APP to learn once.

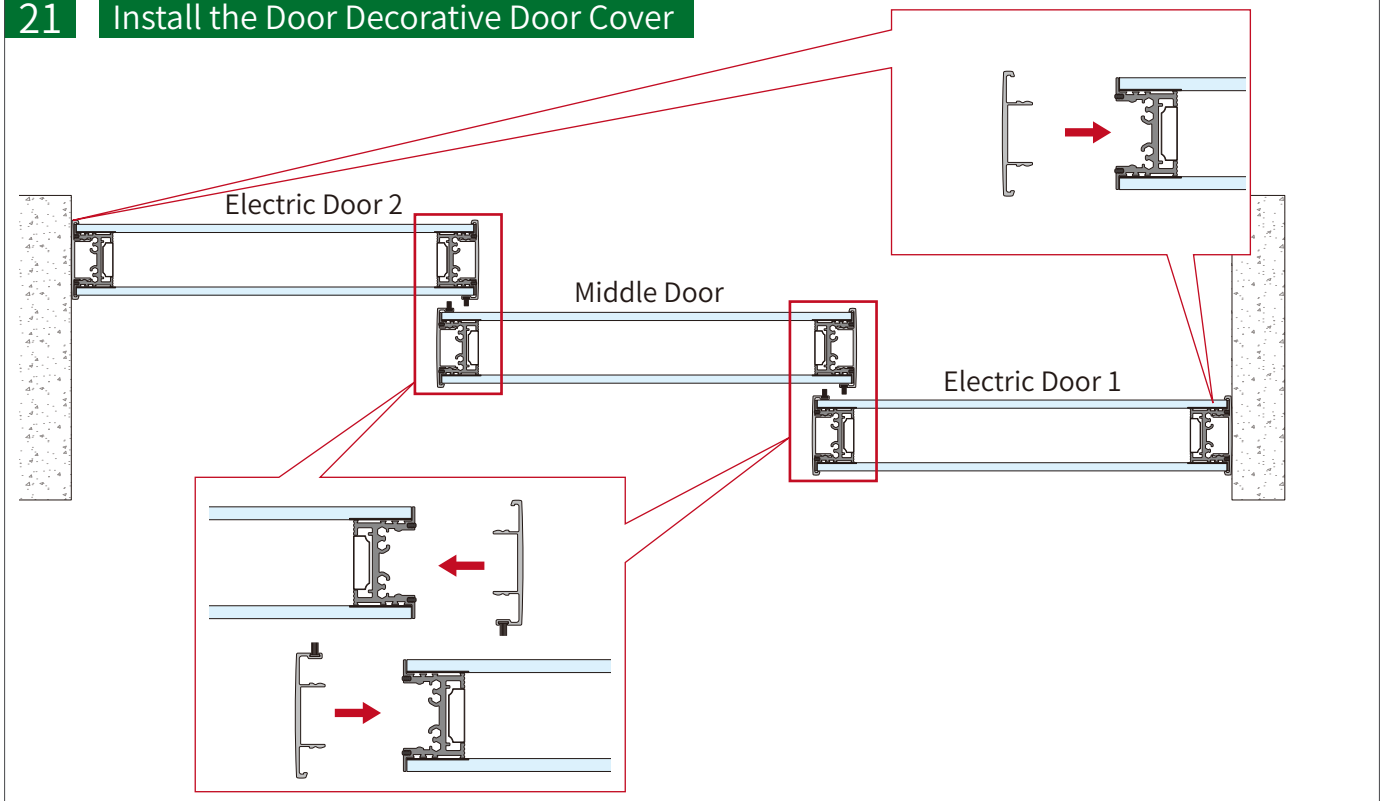


## 20 Adjust the Door

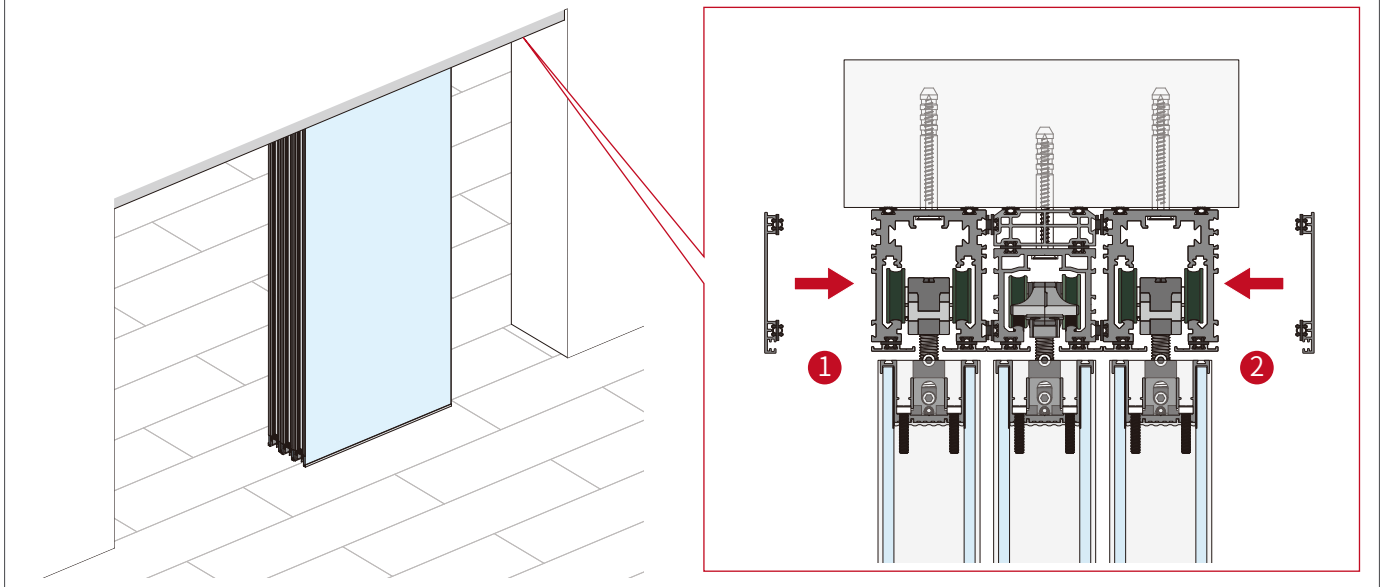
⚠ The door may jump violently due to an over-light door. Tightening the bolt can effectively ease the door jumping.

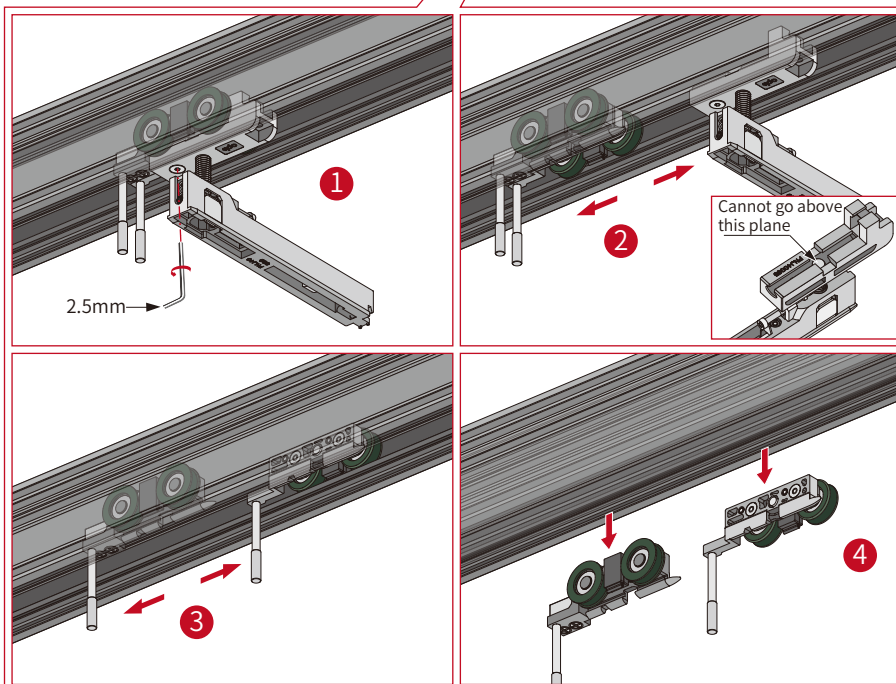
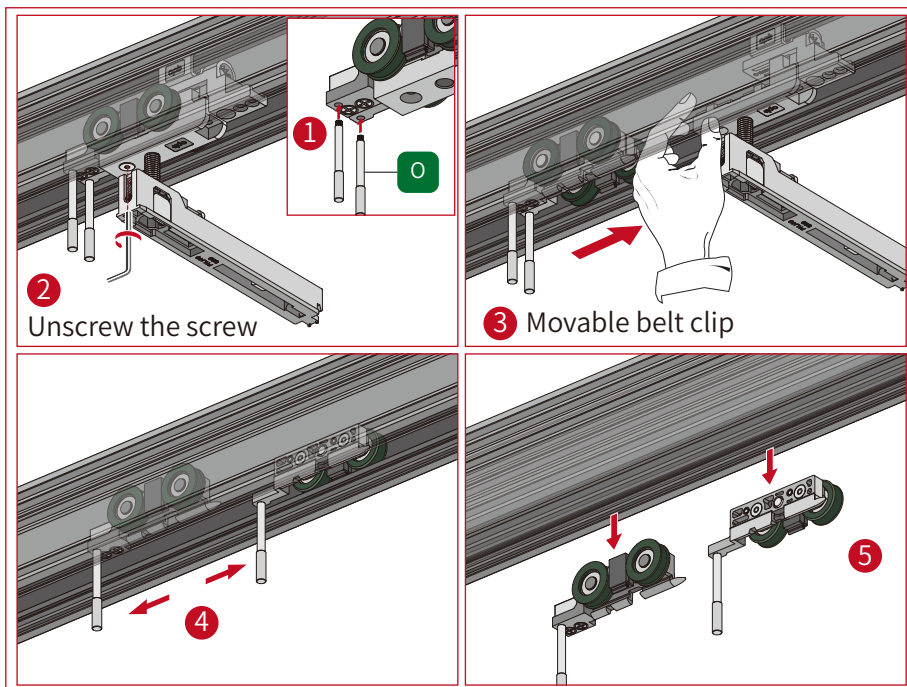


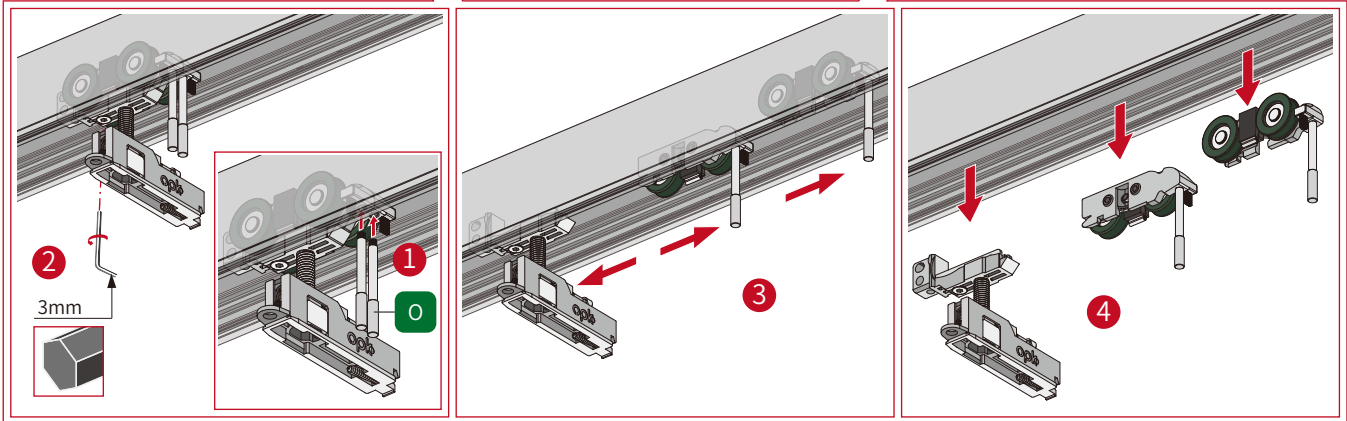
## 21 Install the Door Decorative Door Cover



## 22 Install the Cover of Track



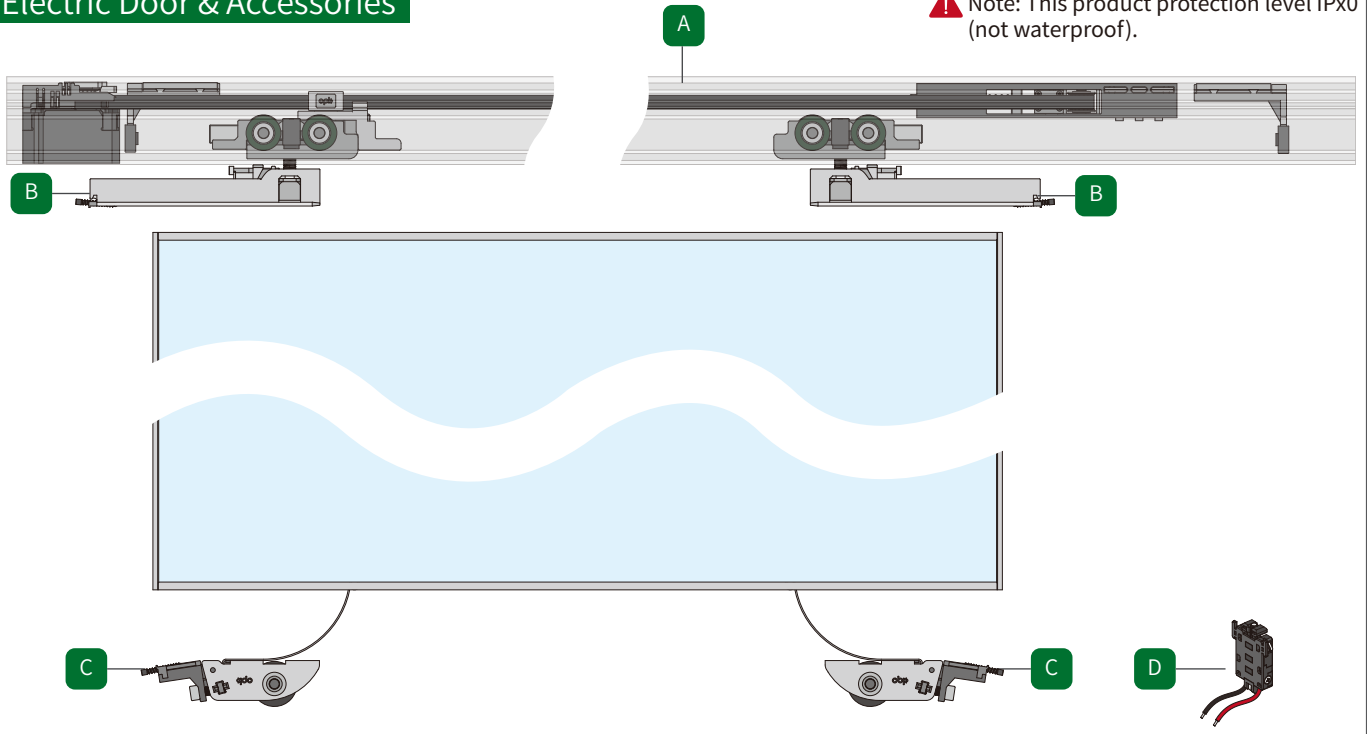




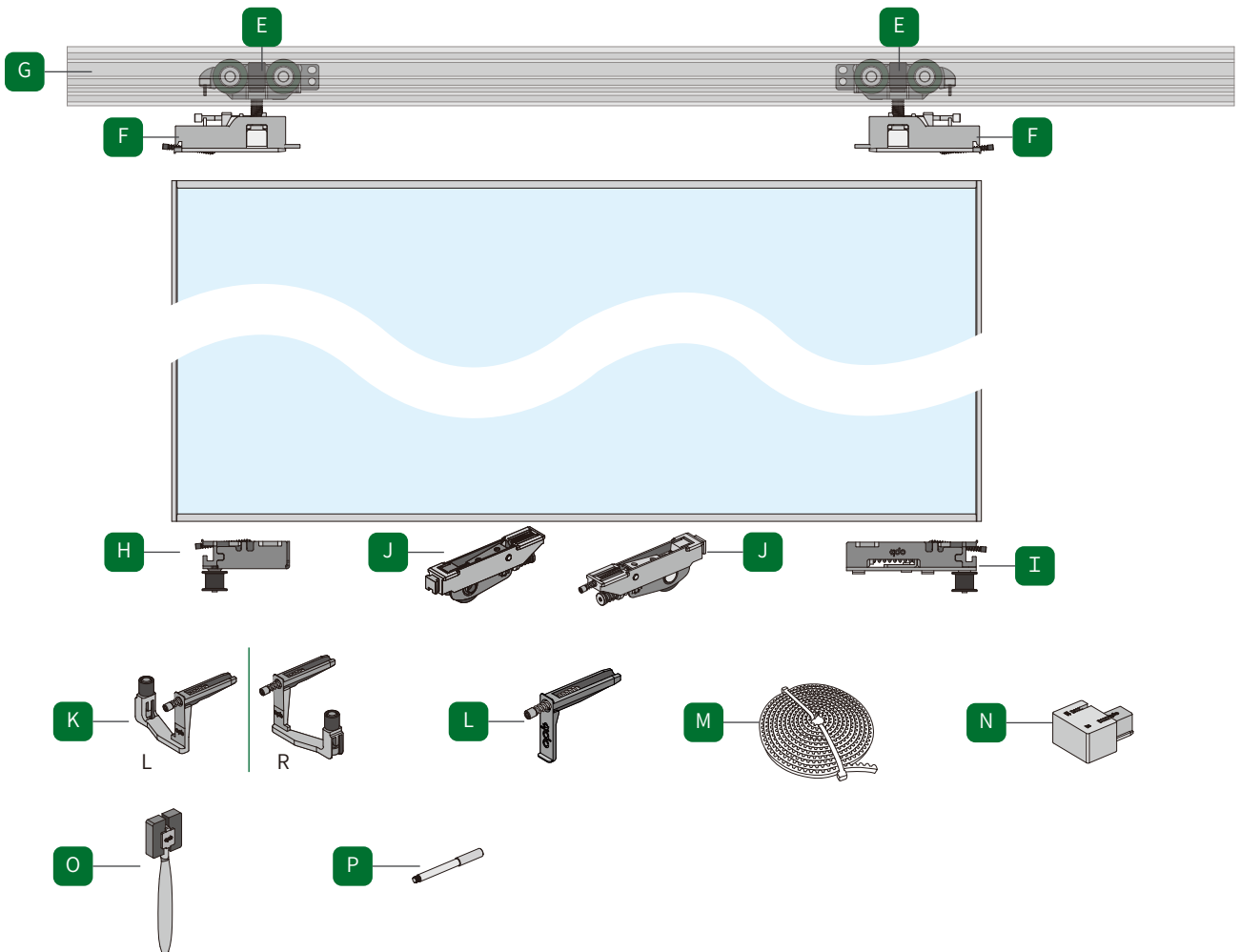
# Perfect FD E-Motion Stacking 4 Doors -Installation Instruction

## Electric Door & Accessories

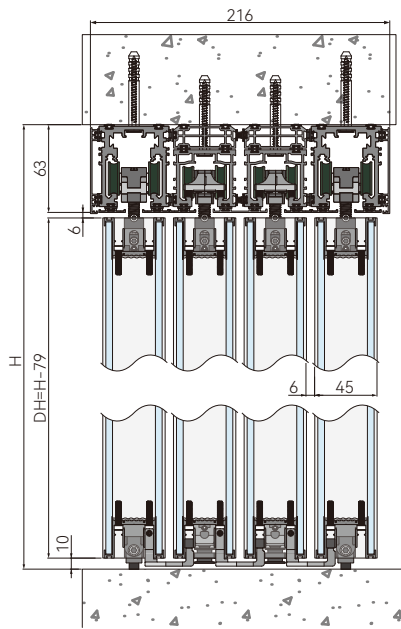
**⚠ Note:** This product protection level IPx0 (not waterproof).



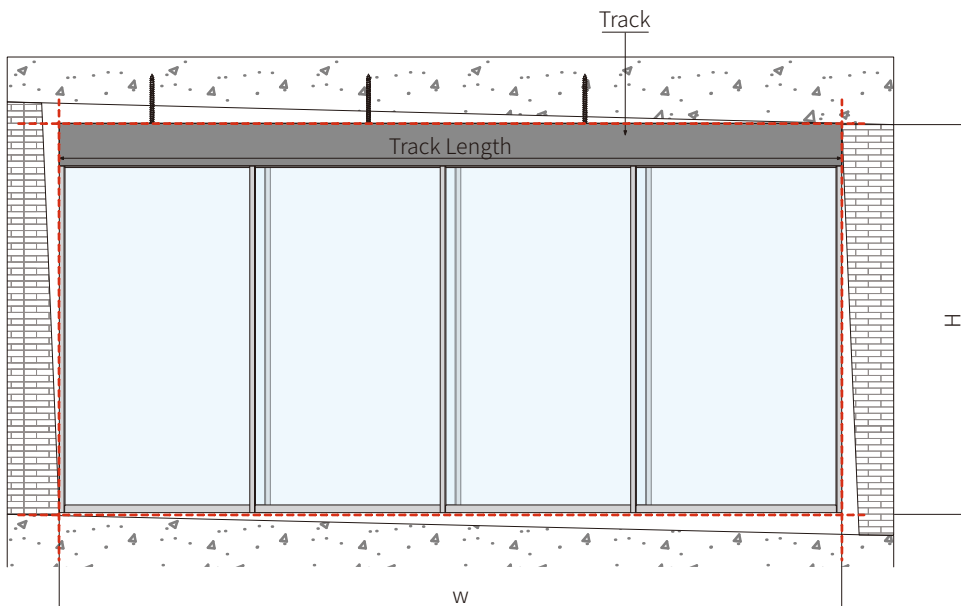
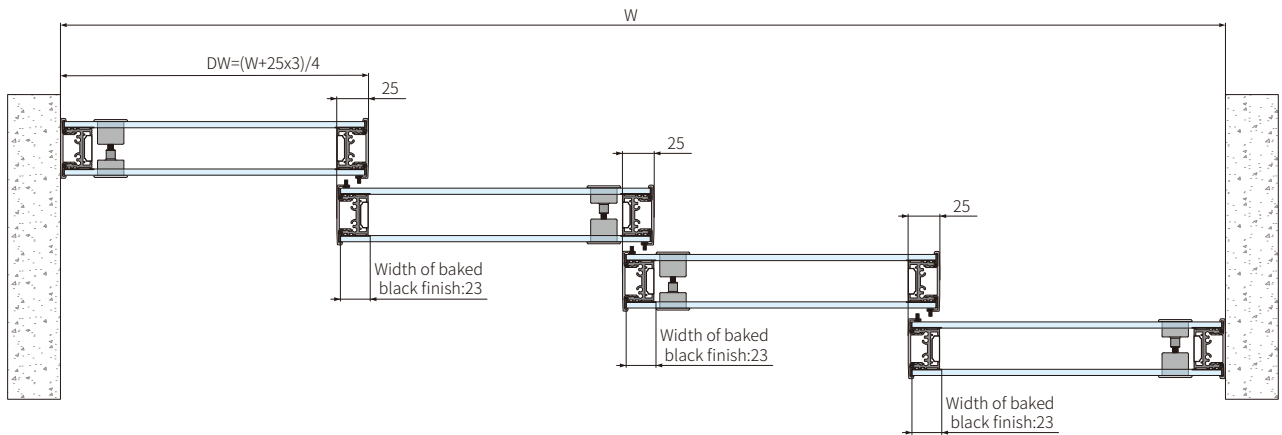
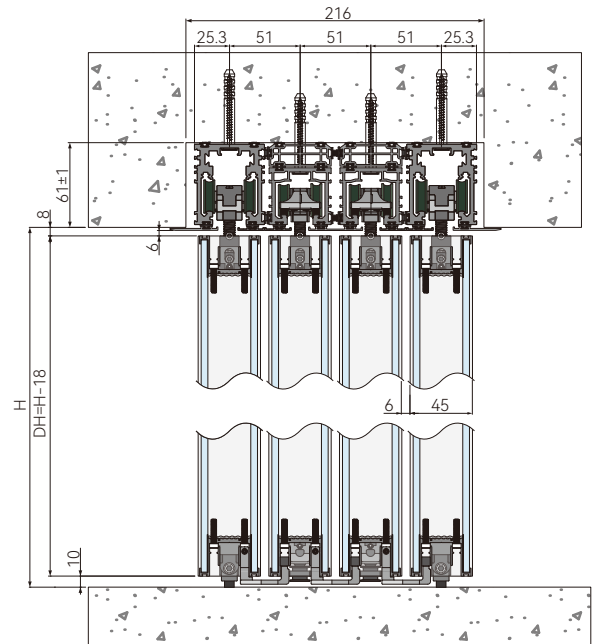
## Middle Door & Accessories



# Surface Mounting



# Concealed Mounting



## Right Opening Stacking Multi-Door Accessories

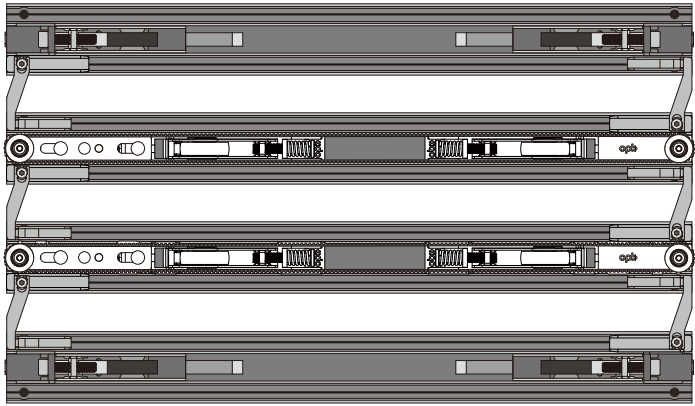


Electric Door 2

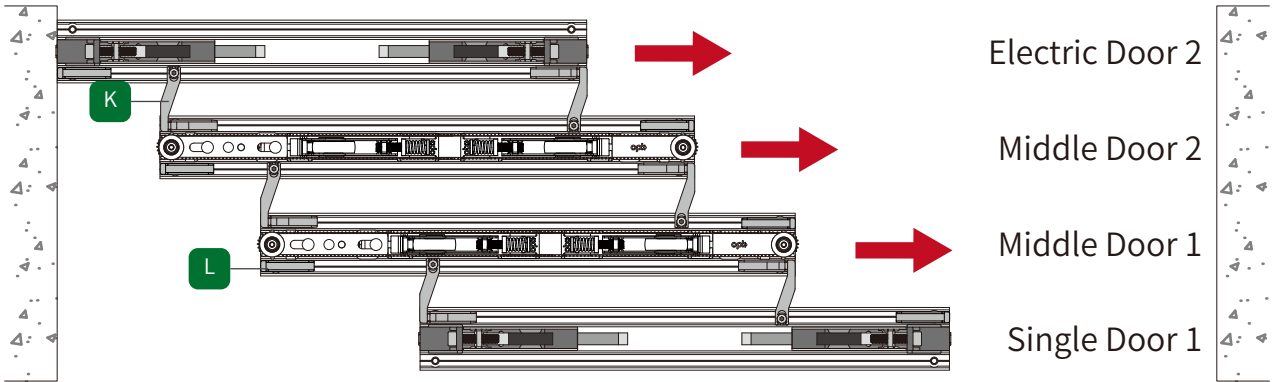
Middle Door 2

Middle Door 1

Electric Door 1



View from bottom: Open the door to the right



## Left Opening Stacking Multi-Door Accessories

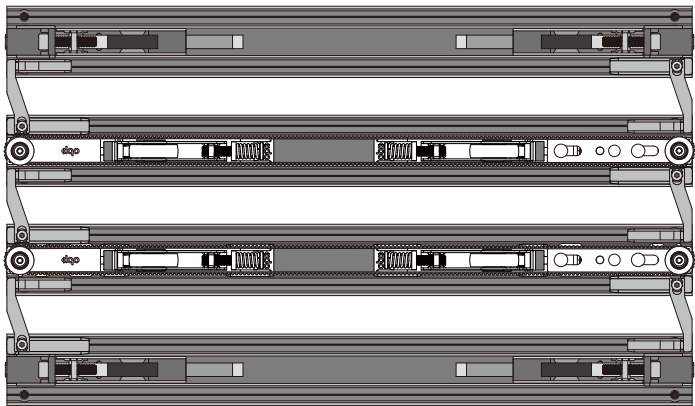


Electric Door 2

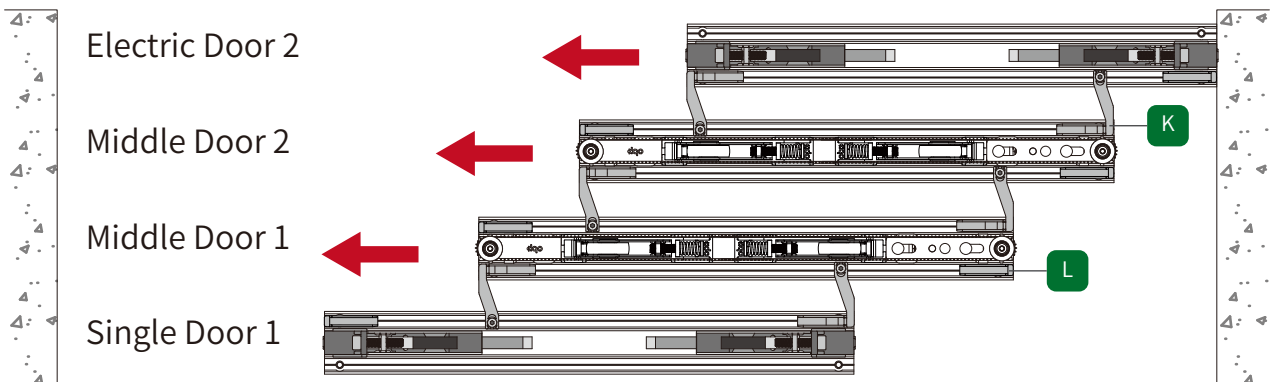
Middle Door 2

Middle Door 1

Electric Door 1

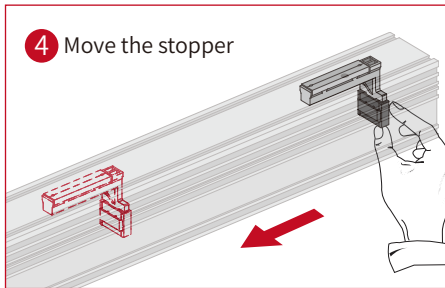
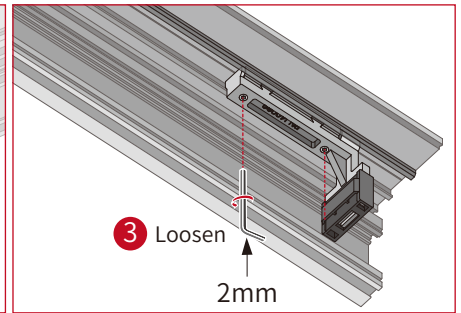
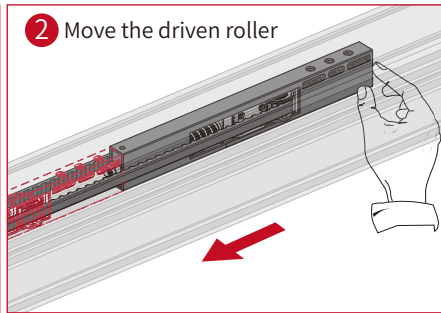
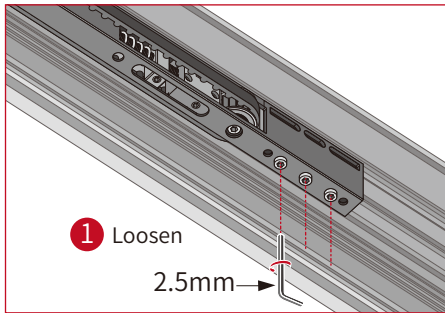
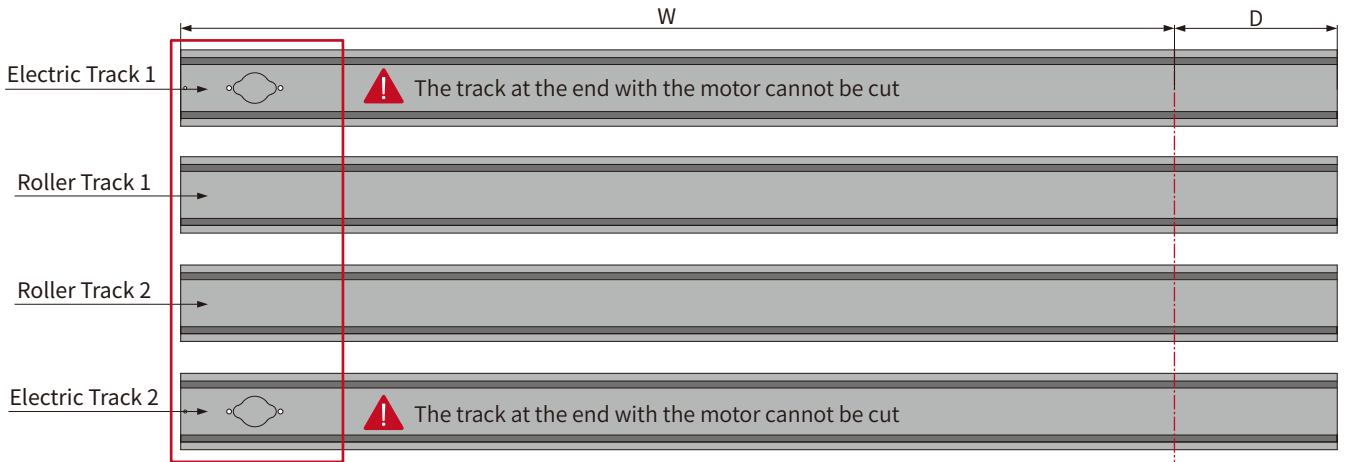


View from bottom: Open the door to the left



# 1-1 Cutting Track

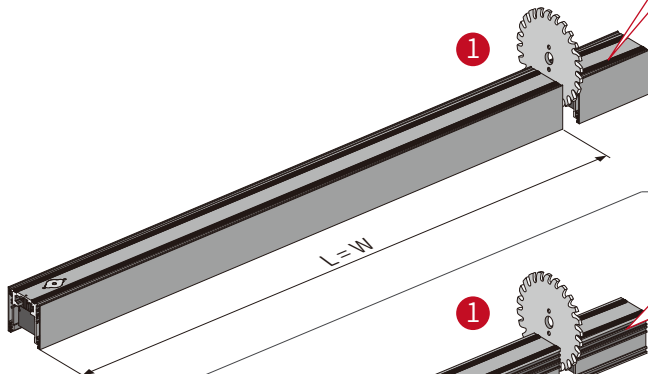
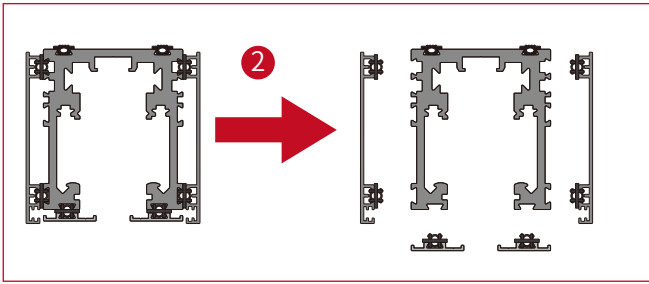
D=The Length of the Track Cutting



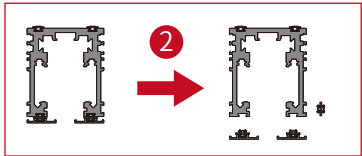
**1-2** Cut the Profiles    Disassemble the Profiles

**Profile 1**

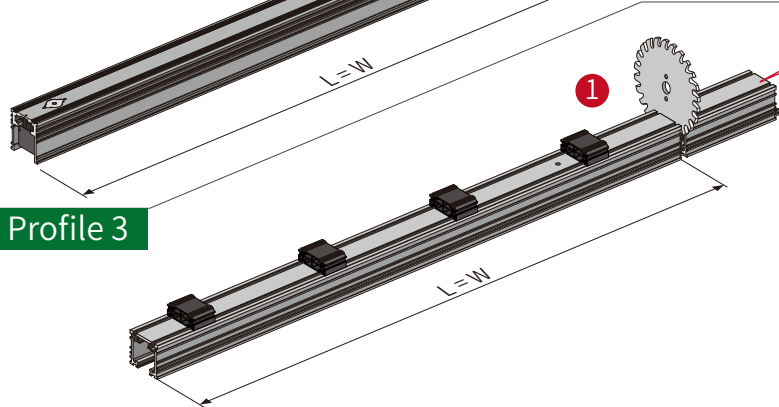
**!** Cut from the uneven side of the profiles



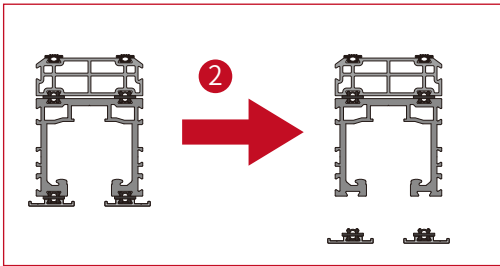
**!** Cut from the uneven side of the profiles



**Profile 2**



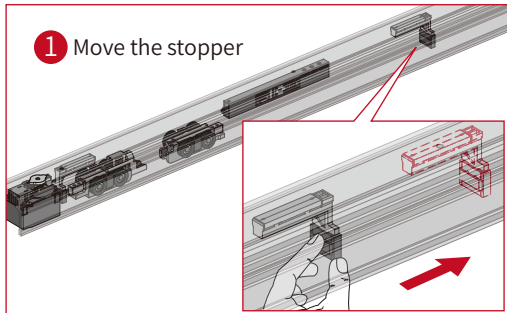
**!** Cut from the uneven side of the profiles



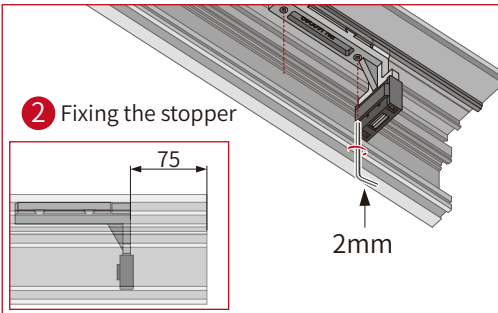
**Profile 3**

**2** Adjust the Belt

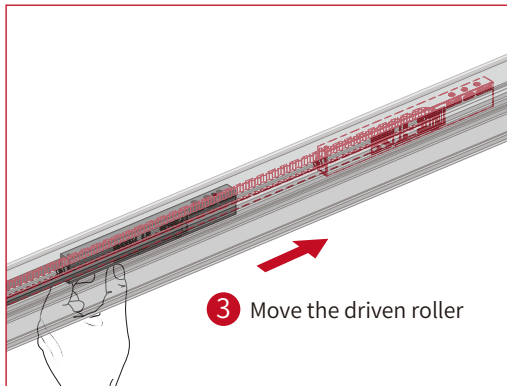
**1** Move the stopper



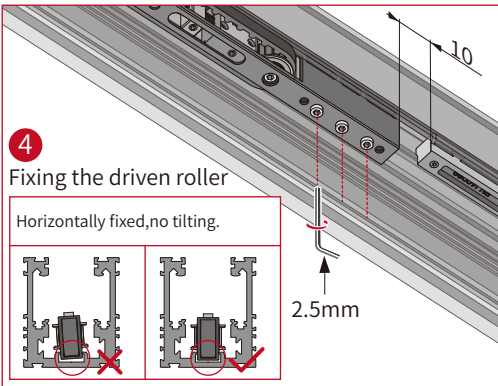
**2** Fixing the stopper



**3** Move the driven roller



**4** Fixing the driven roller



### 3 Adjust the Belt Connecting Track Profiles

**1** Move the roller to the side

**2** Loosen

**3** Movable belt clip

**4** Loosen 2.5mm

**5** Tighten the belt inside the track and mark it

**6** Cut the belt at the marked position

**7** Loosen 2.5mm

**8** Belt on average three teeth

**9** Fixing

**10** Reset the driven roller

Leave a gap of 3 to 5MM

**11** Turn the nut until the hexagon screw appears

**12** Unscrew the internal hexagon screw

Not below the plane

2mm

**13** Loosen the nut, leaving 4-5 threads engaged.

The nut must not be screwed out of the screw

**14** Fixing the driven roller

Horizontally fixed, no tilting.

2.5mm

**15** Unscrew the hexagonal screw until there is a jump and the wrench is stuck

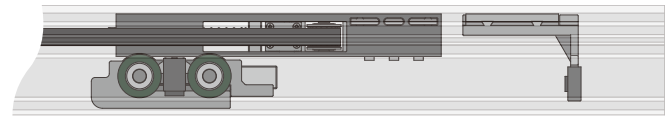
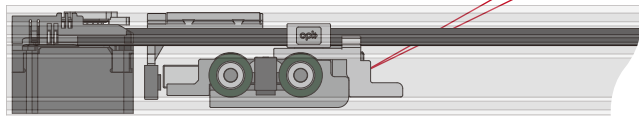
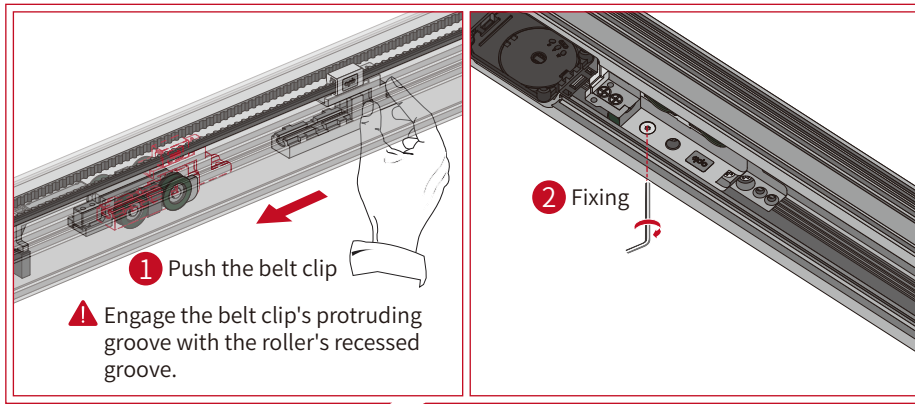
**16** Use a little force to pull out the wrench, and the spring will automatically tighten the belt.

Caution: pinch hazard

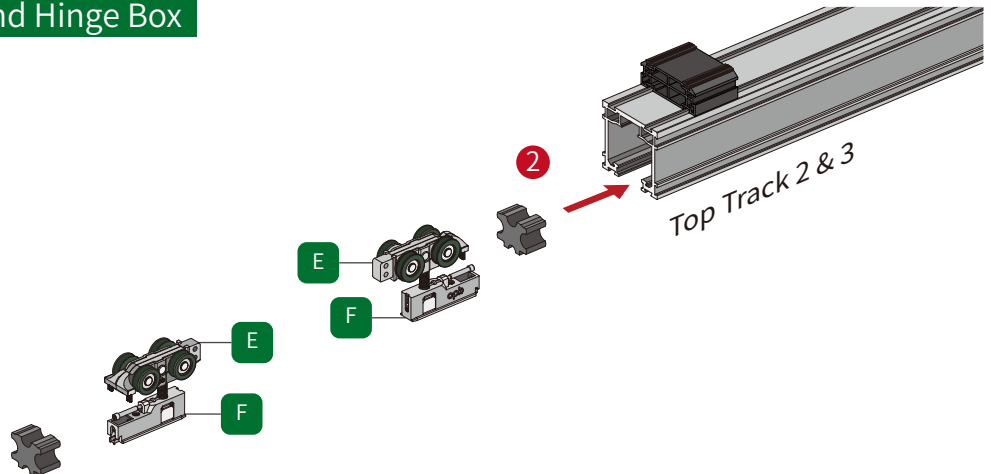
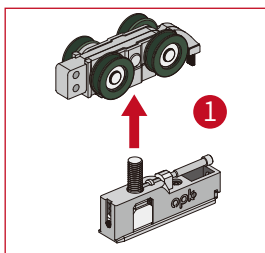
**17** Adjust the belt

Do not adjust this screw

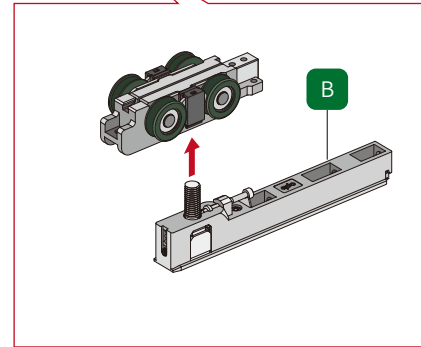
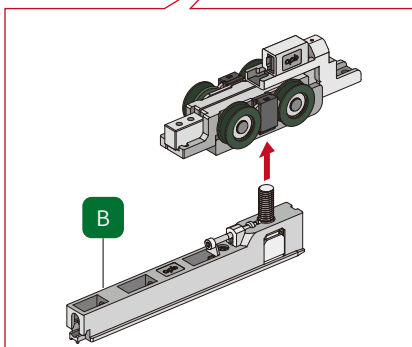
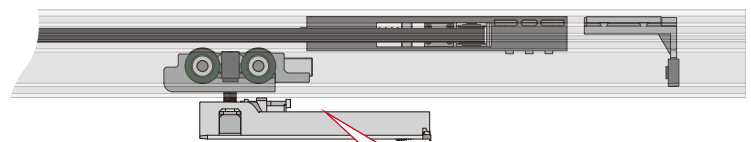
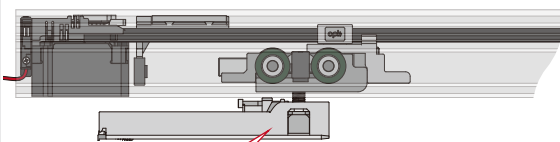
#### 4 Install the Belt Clip for the Electric Door



#### 5 Install the Roller and Hinge Box

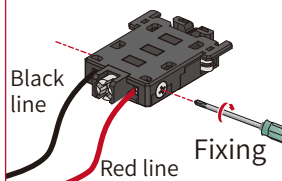


#### 6 Install Hanging Box of the Electric Door

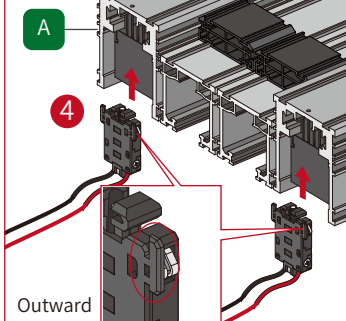
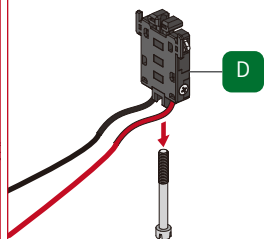


## 7 Install the Power Terminal and the Track

### 2 Power terminal wiring

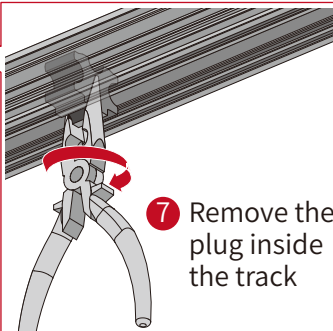
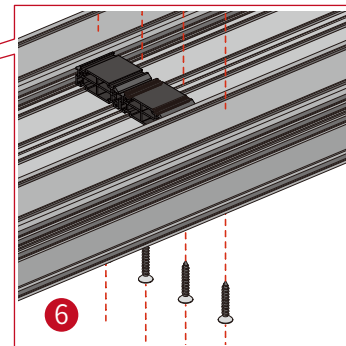


### 3 Pull out the long rod screw

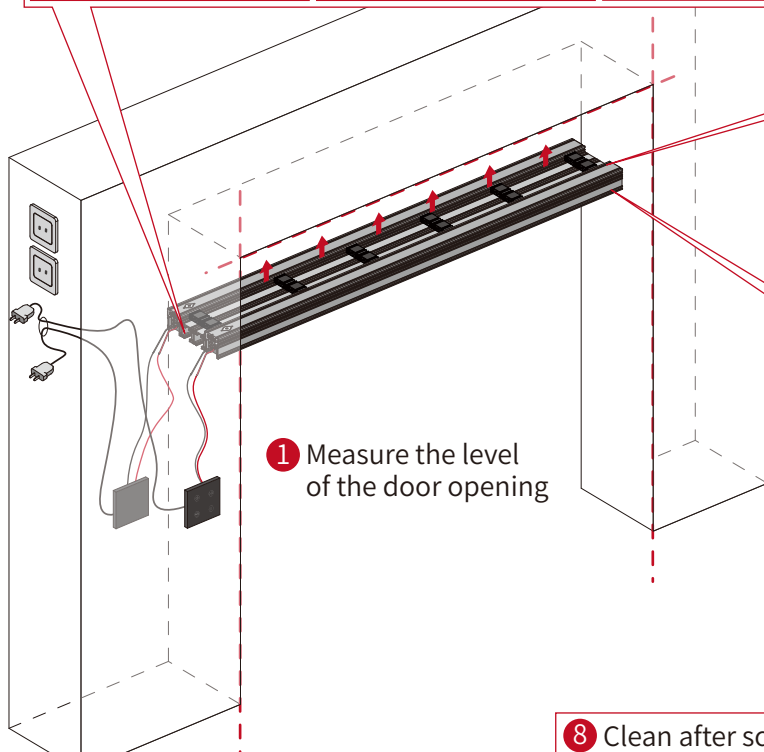


Level the edge of the track

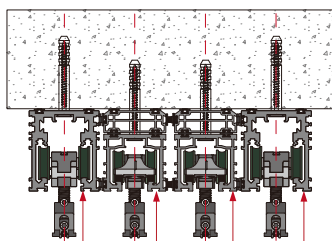
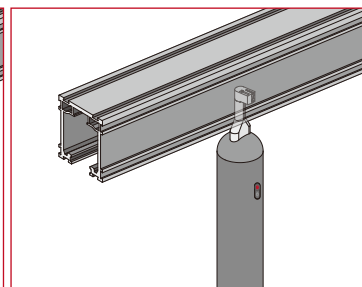
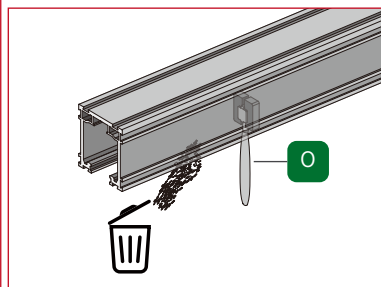
### 5 Fixing



### 1 Measure the level of the door opening



### 8 Clean after screwing

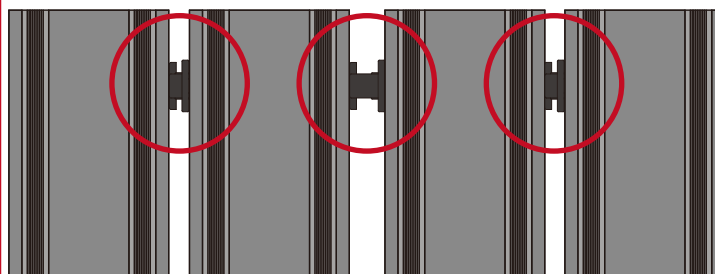


Top Track 1

Top Track 3

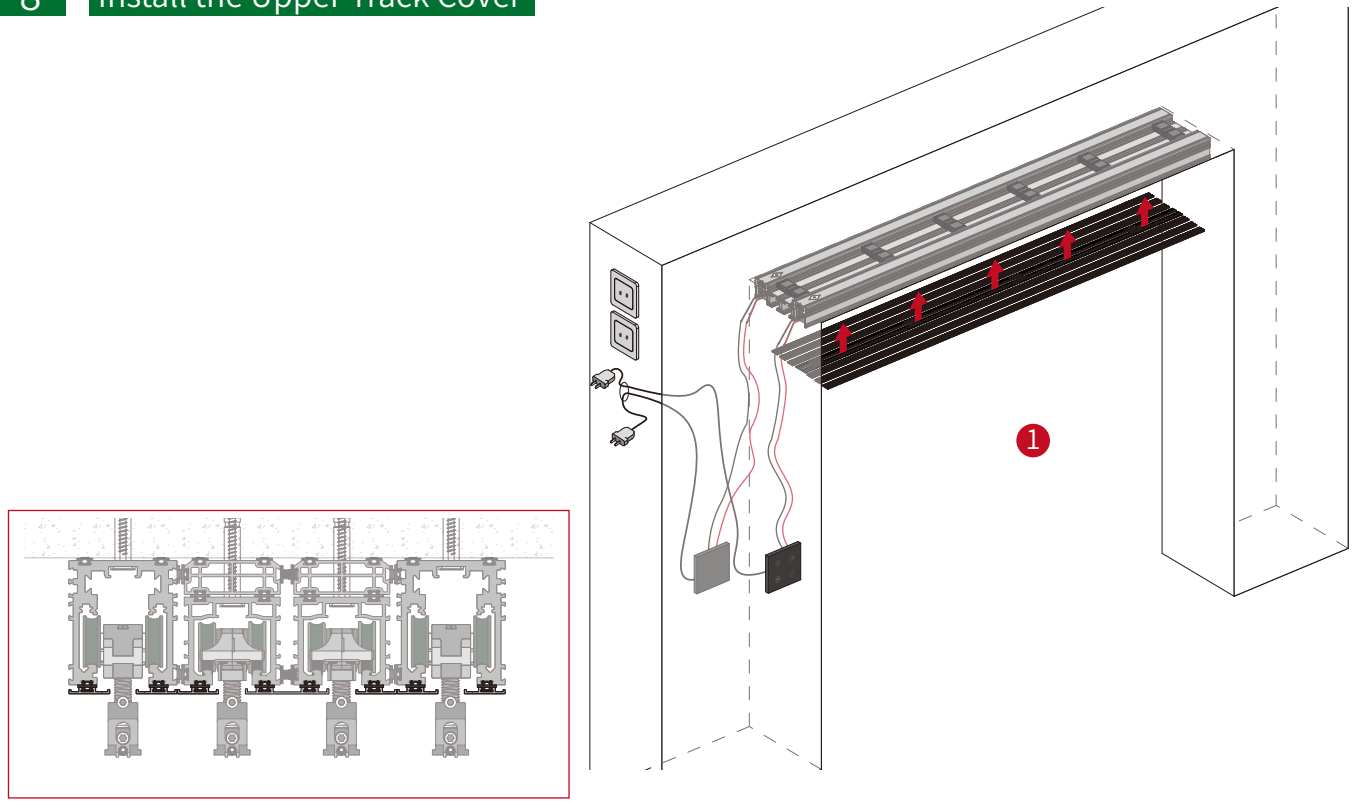
Top Track 2

Top Track 4

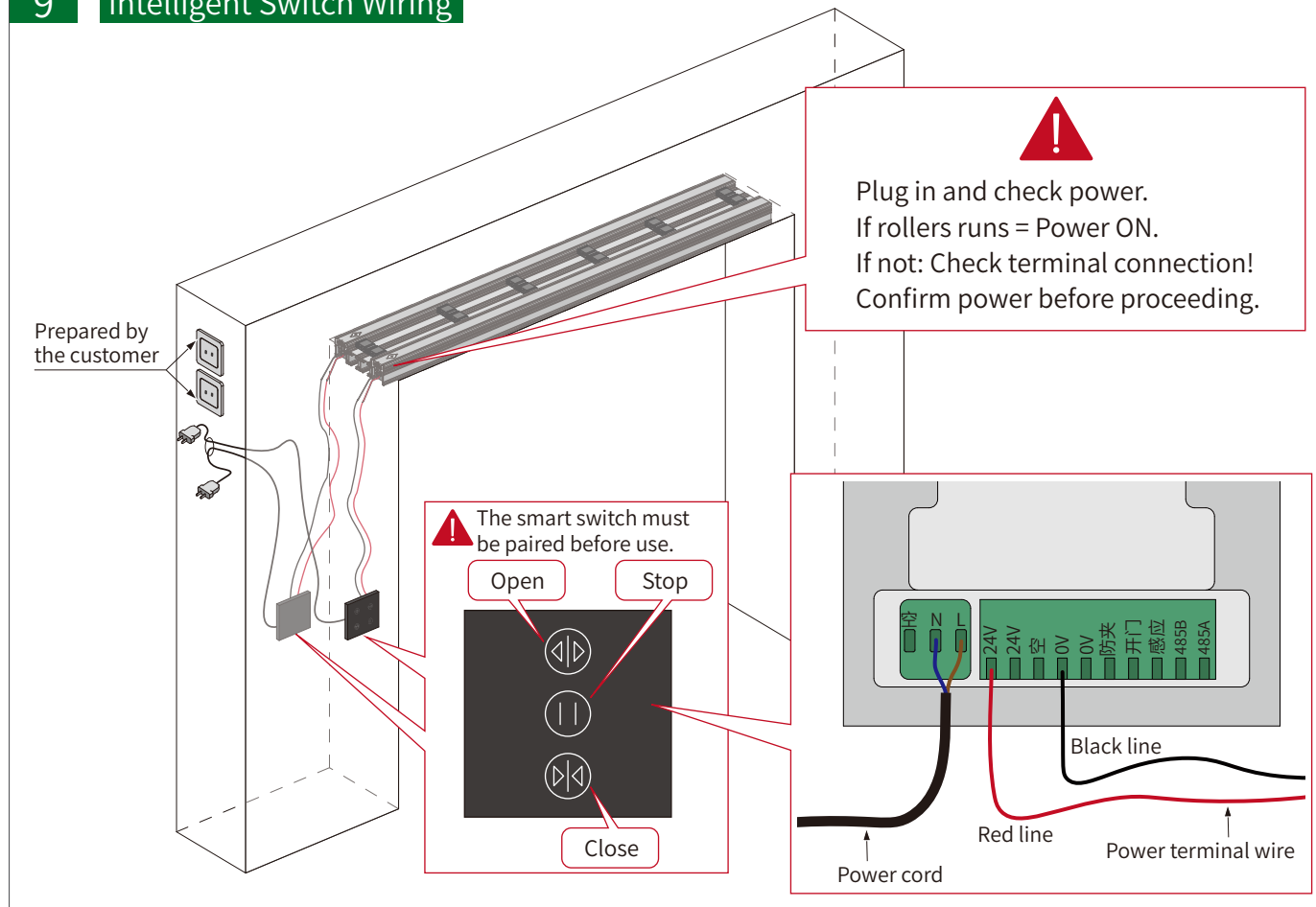


Must be tight!  
No gap !

## 8 Install the Upper Track Cover

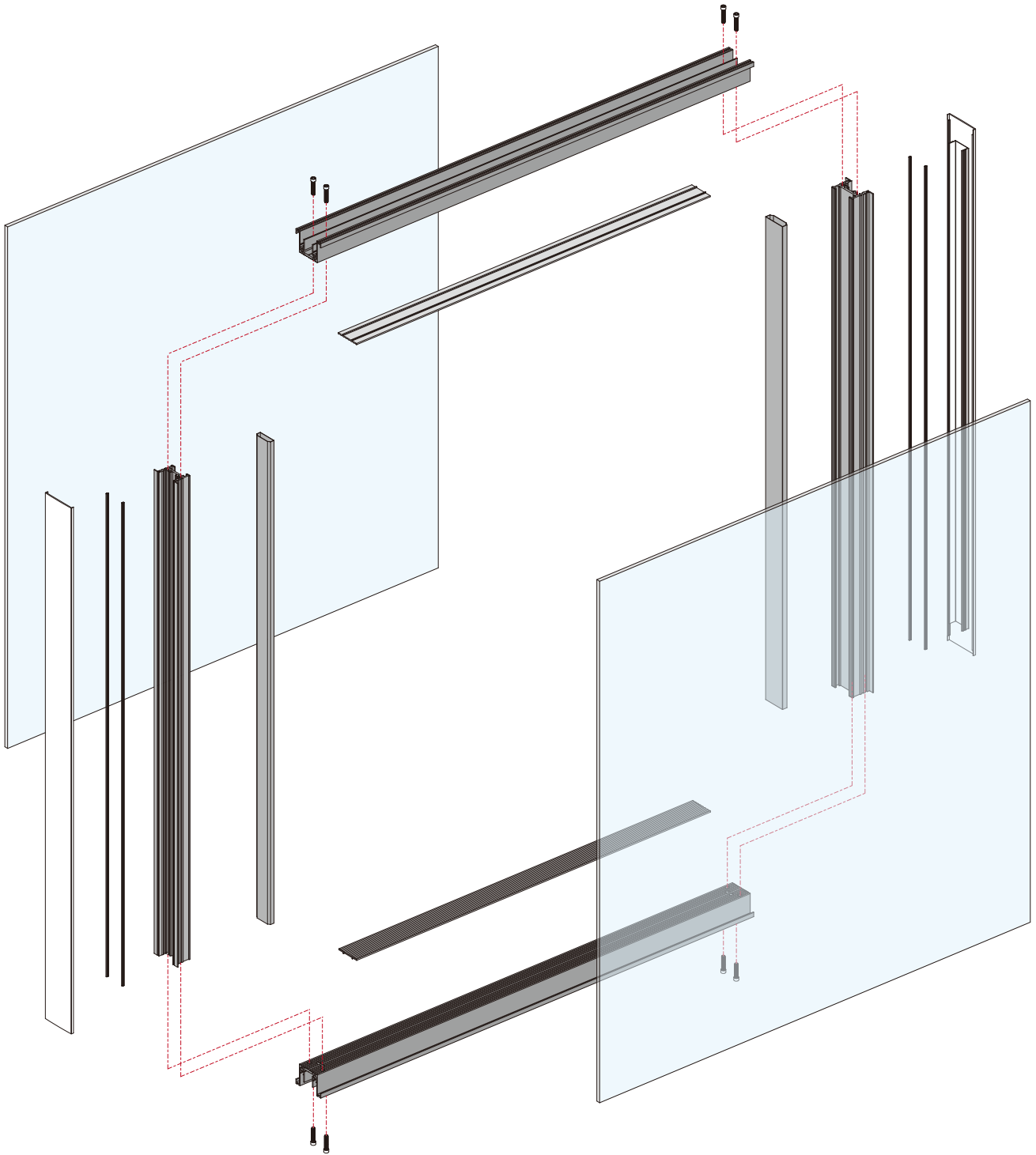


## 9 Intelligent Switch Wiring



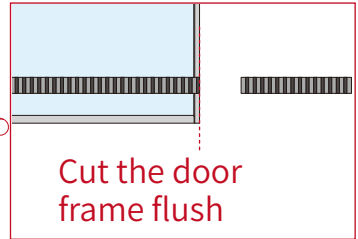
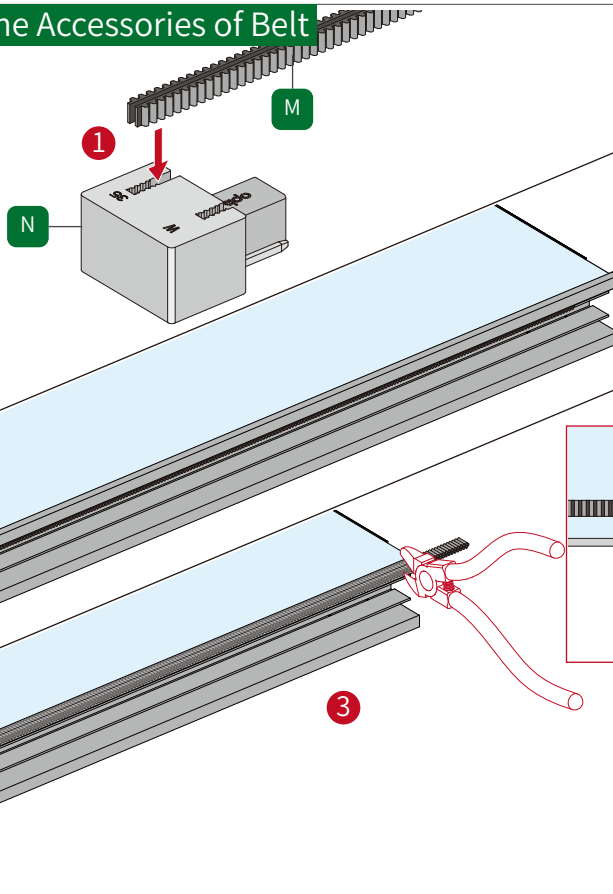
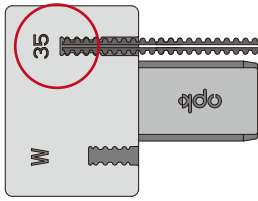
# 10 Install the Door

⚠ Please refer to the door body production manual for detailed installation

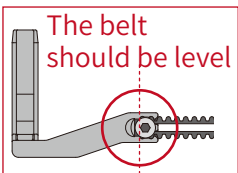
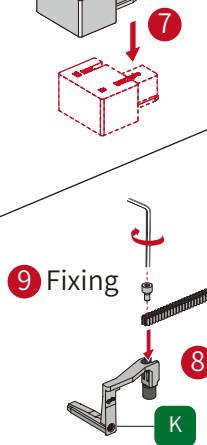
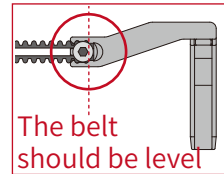
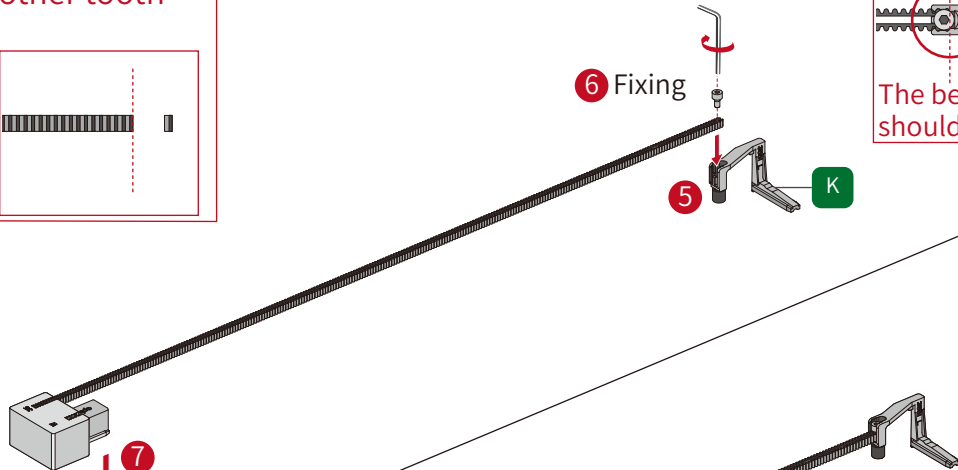
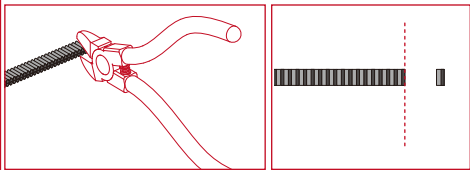


# 11 Cutting belt Install the Accessories of Belt

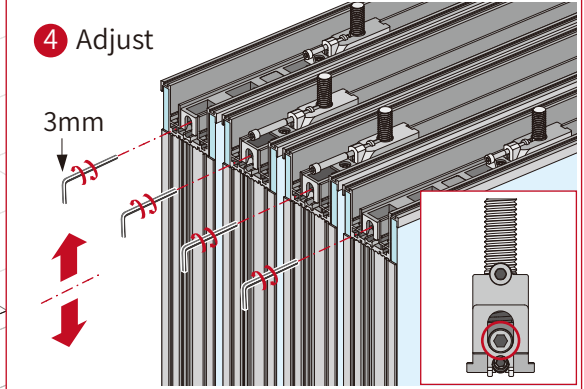
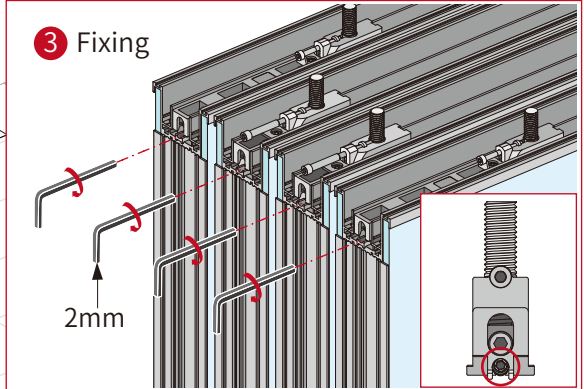
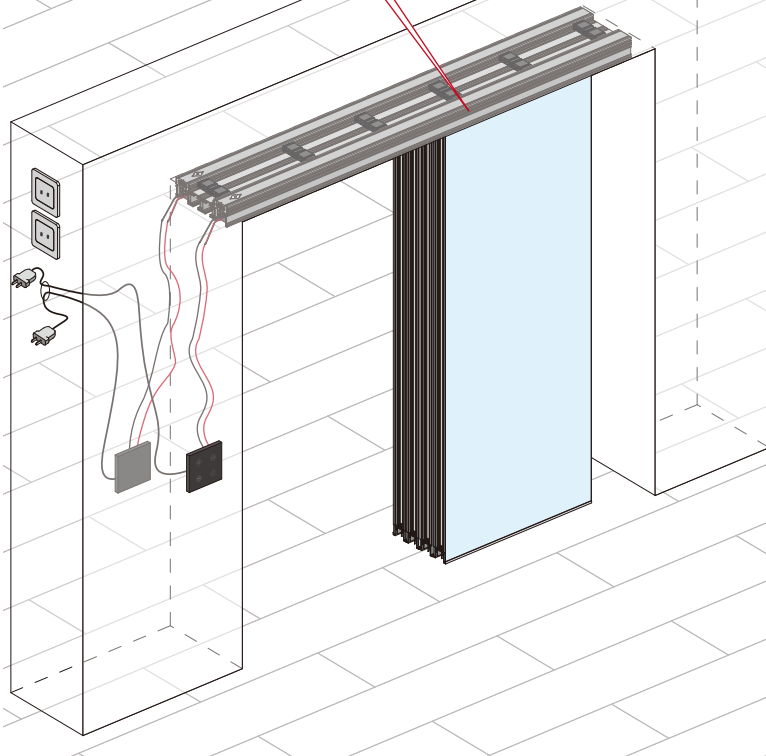
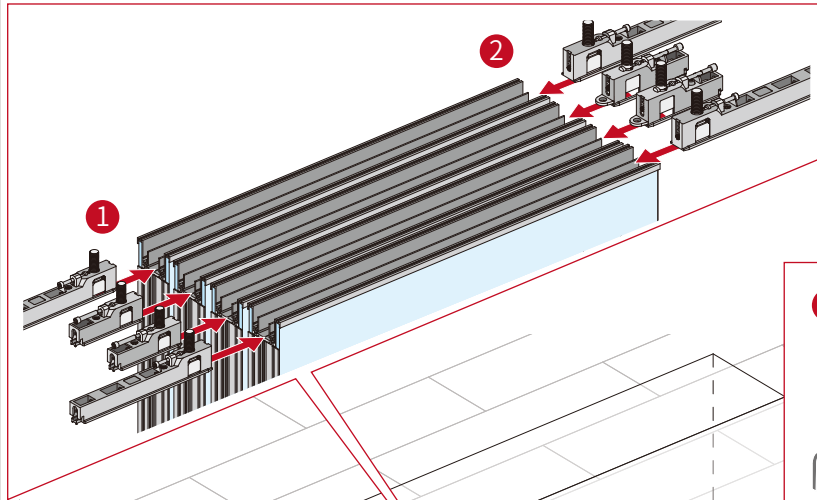
According to the thickness of the door, confirm the use of belt mold

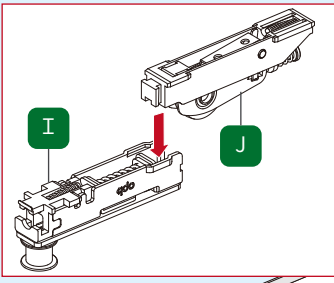
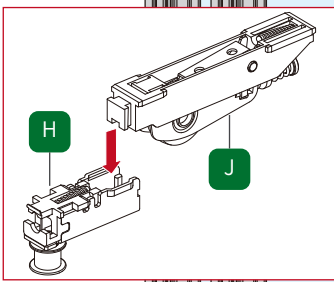
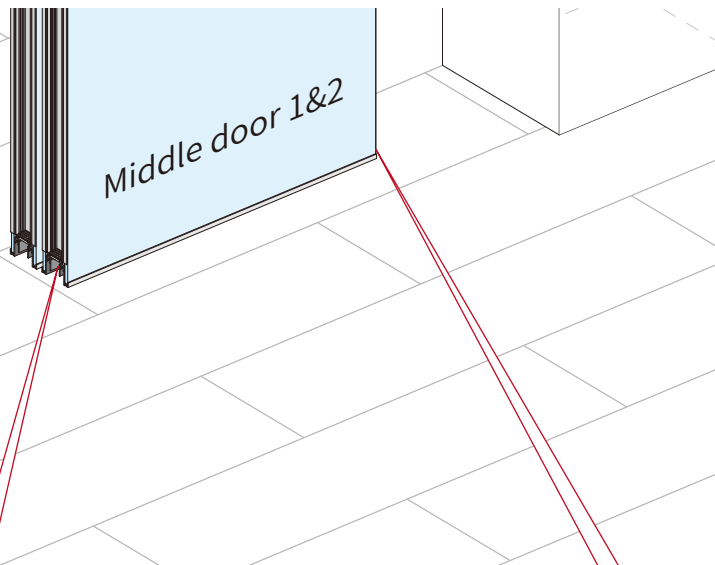


4 After cutting the door frame straight, cut another tooth

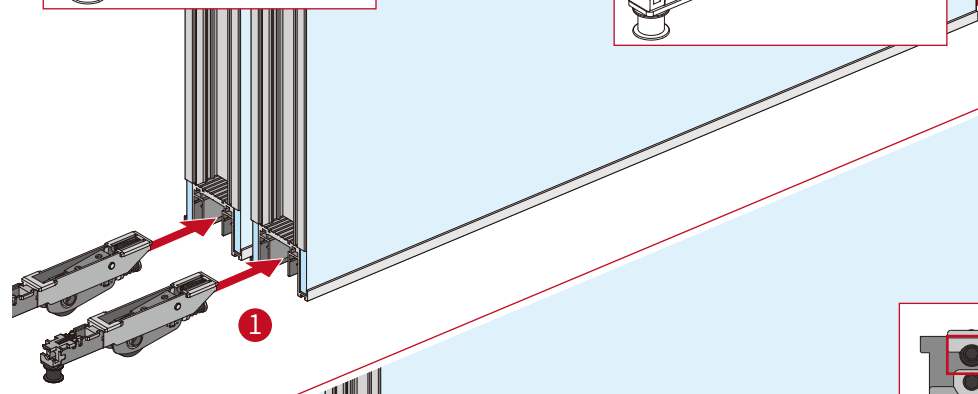
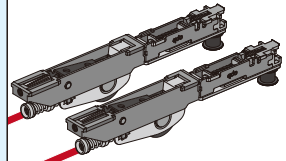


# 12 Install the Door

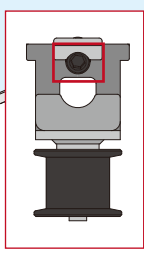
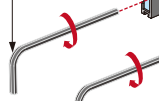




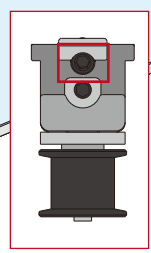
Note: The winding roller is tightened to the loosest state!



2mm



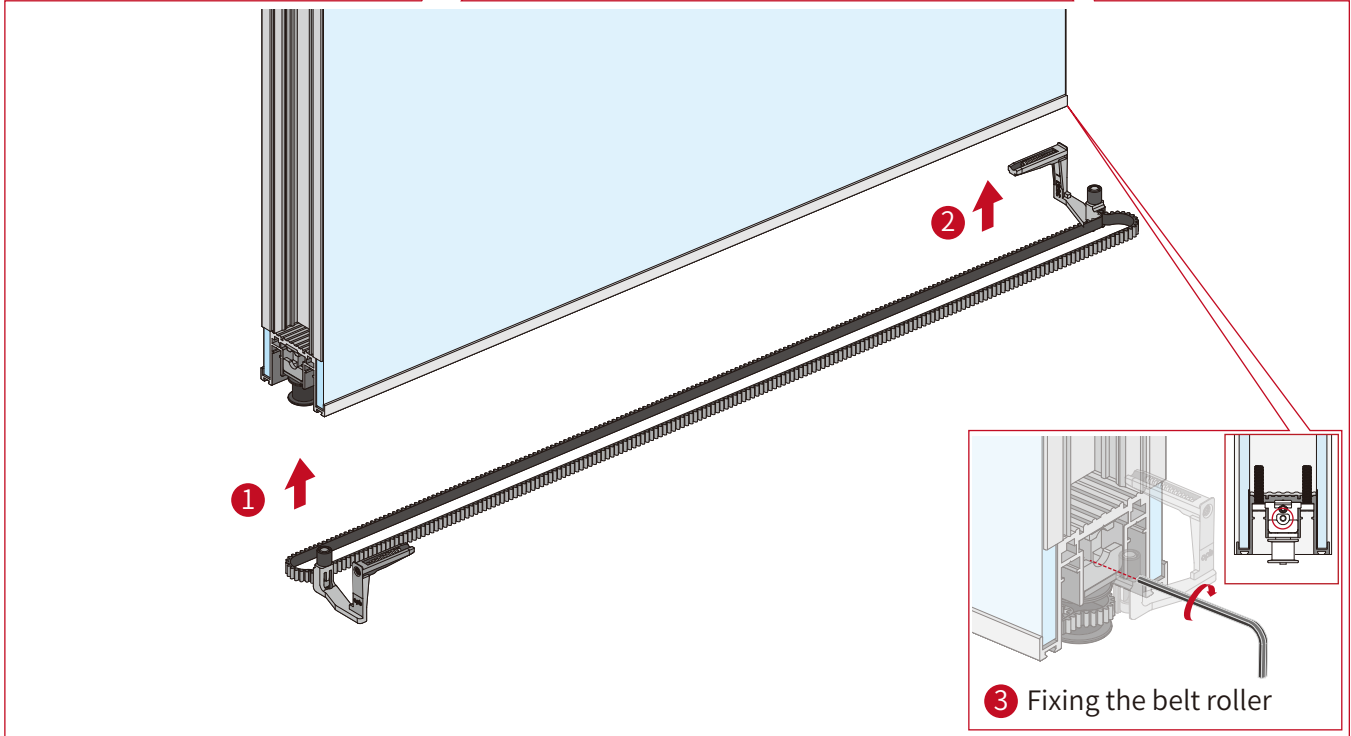
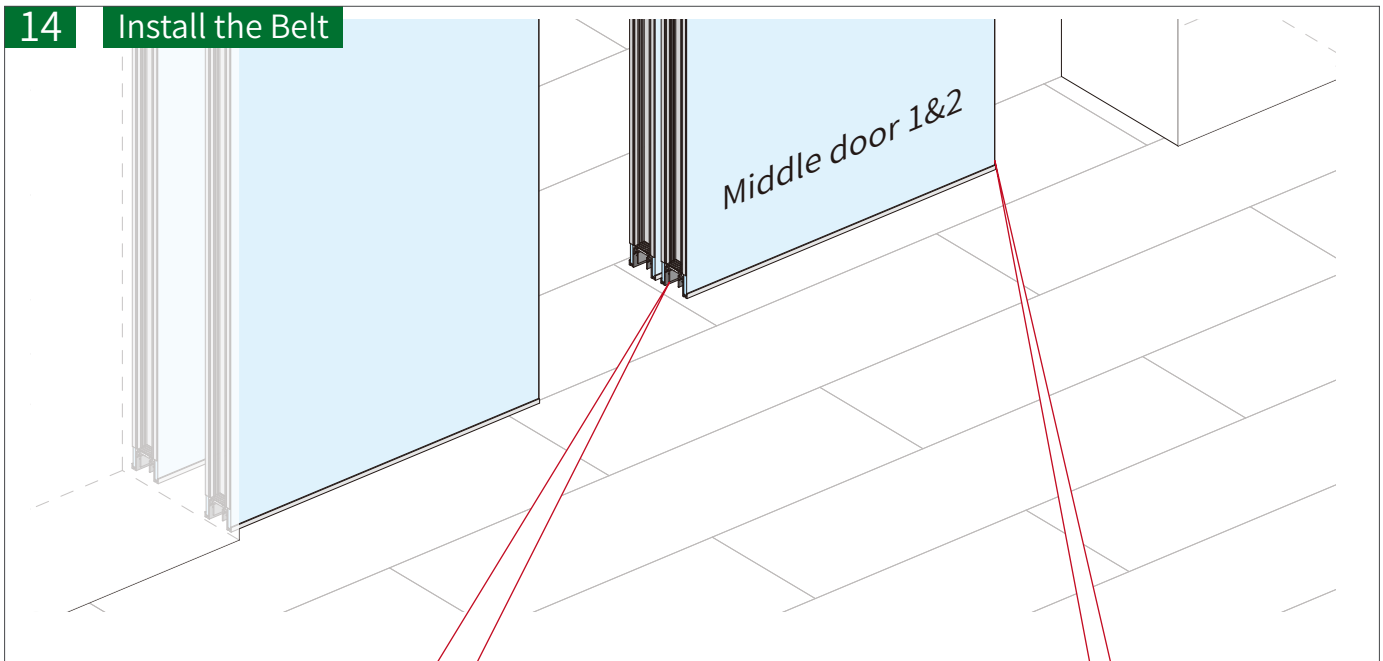
3 Fixing



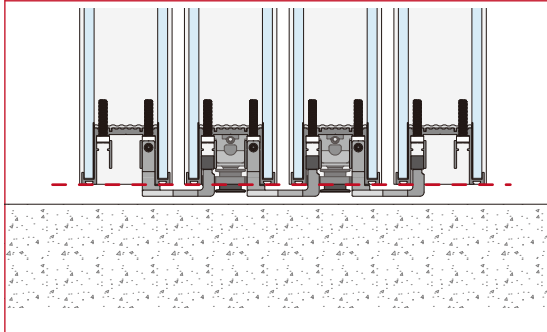
2mm

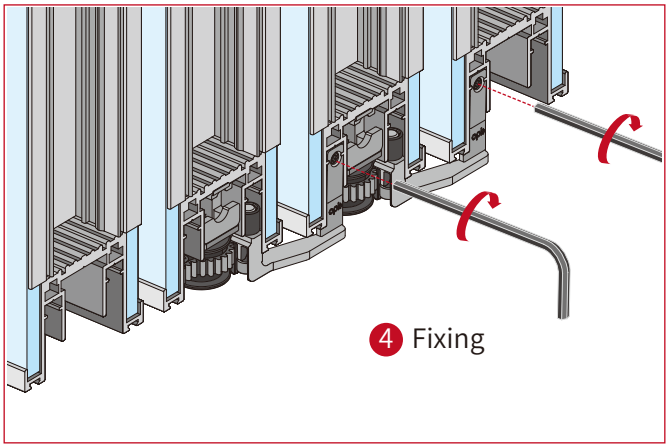
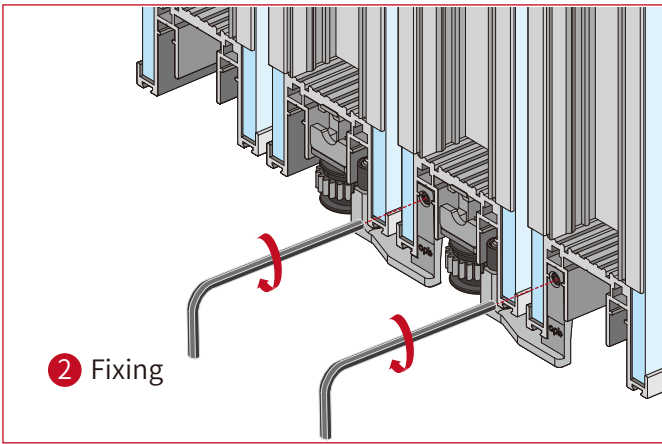
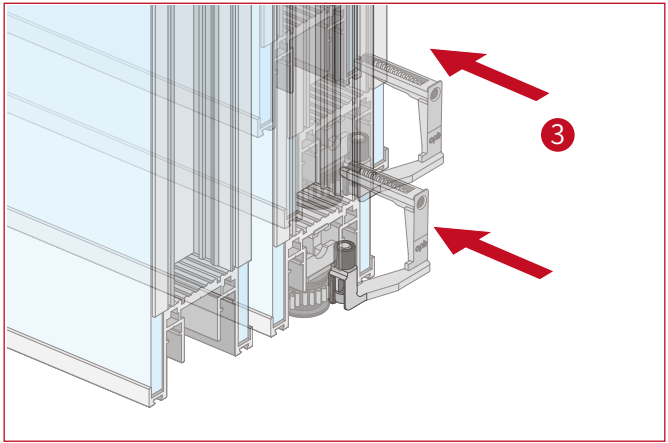
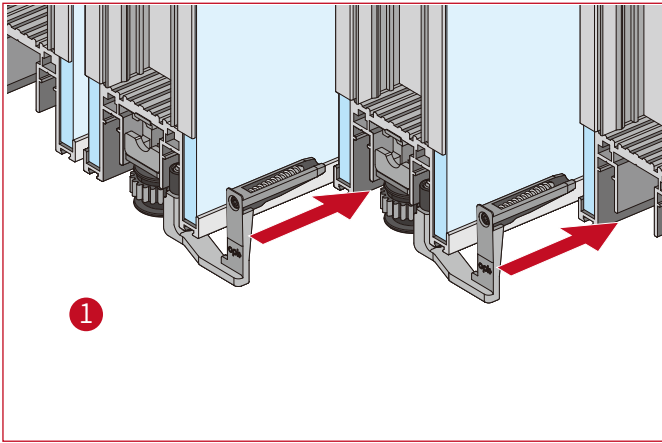
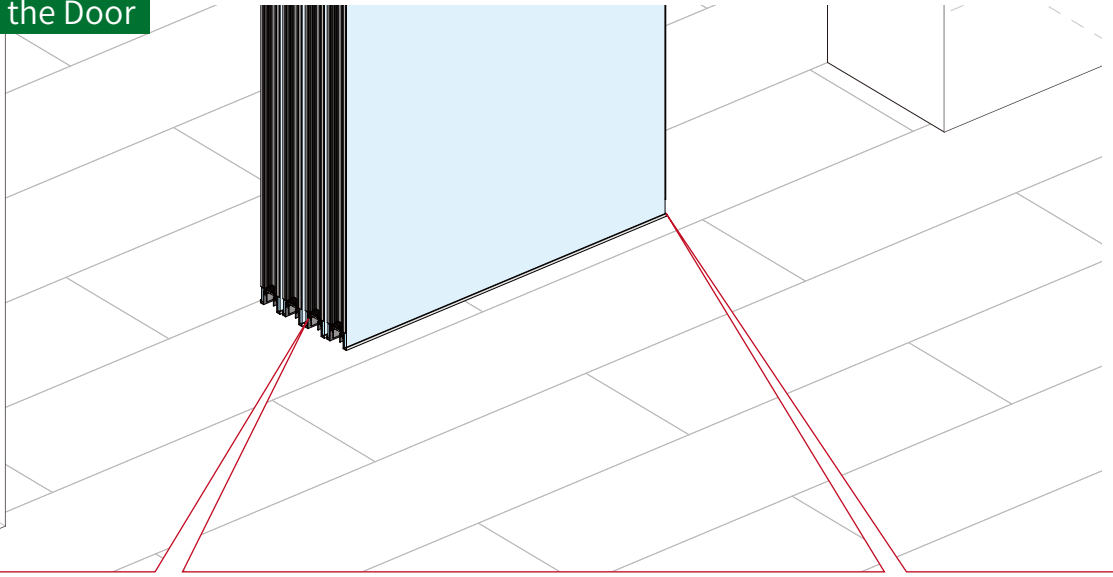


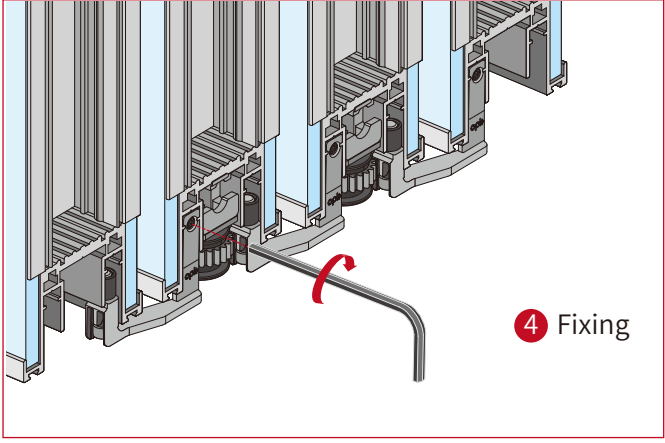
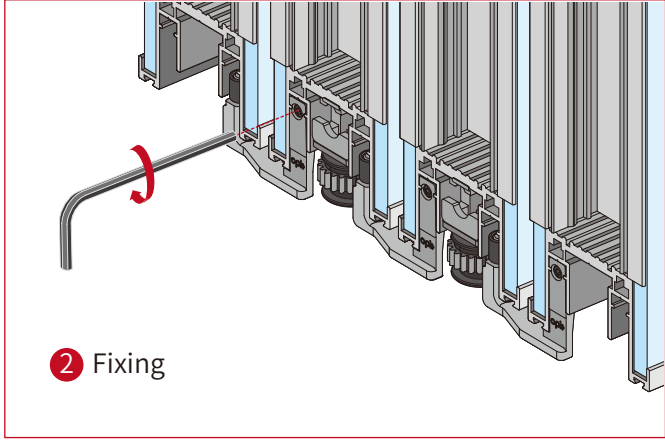
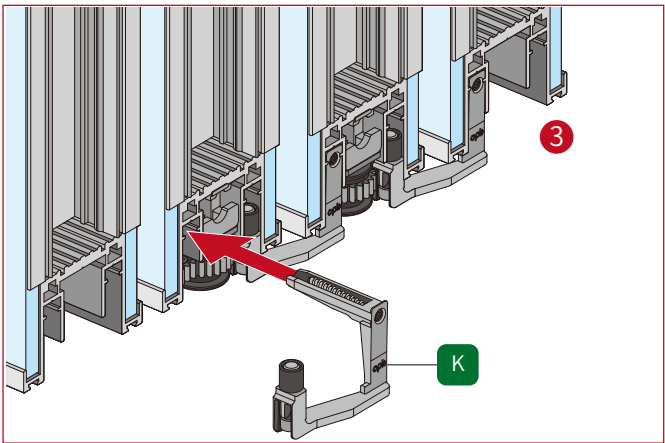
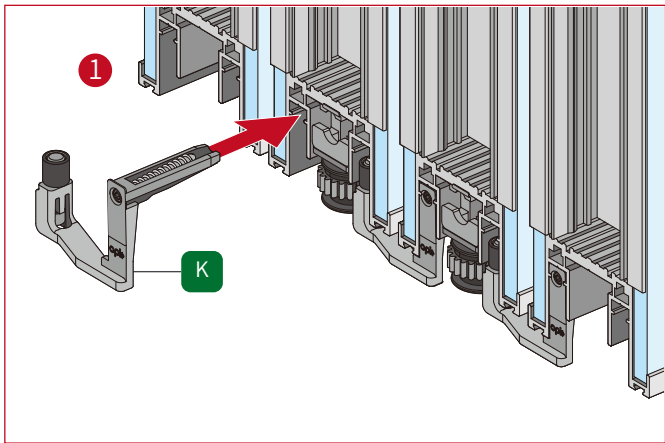
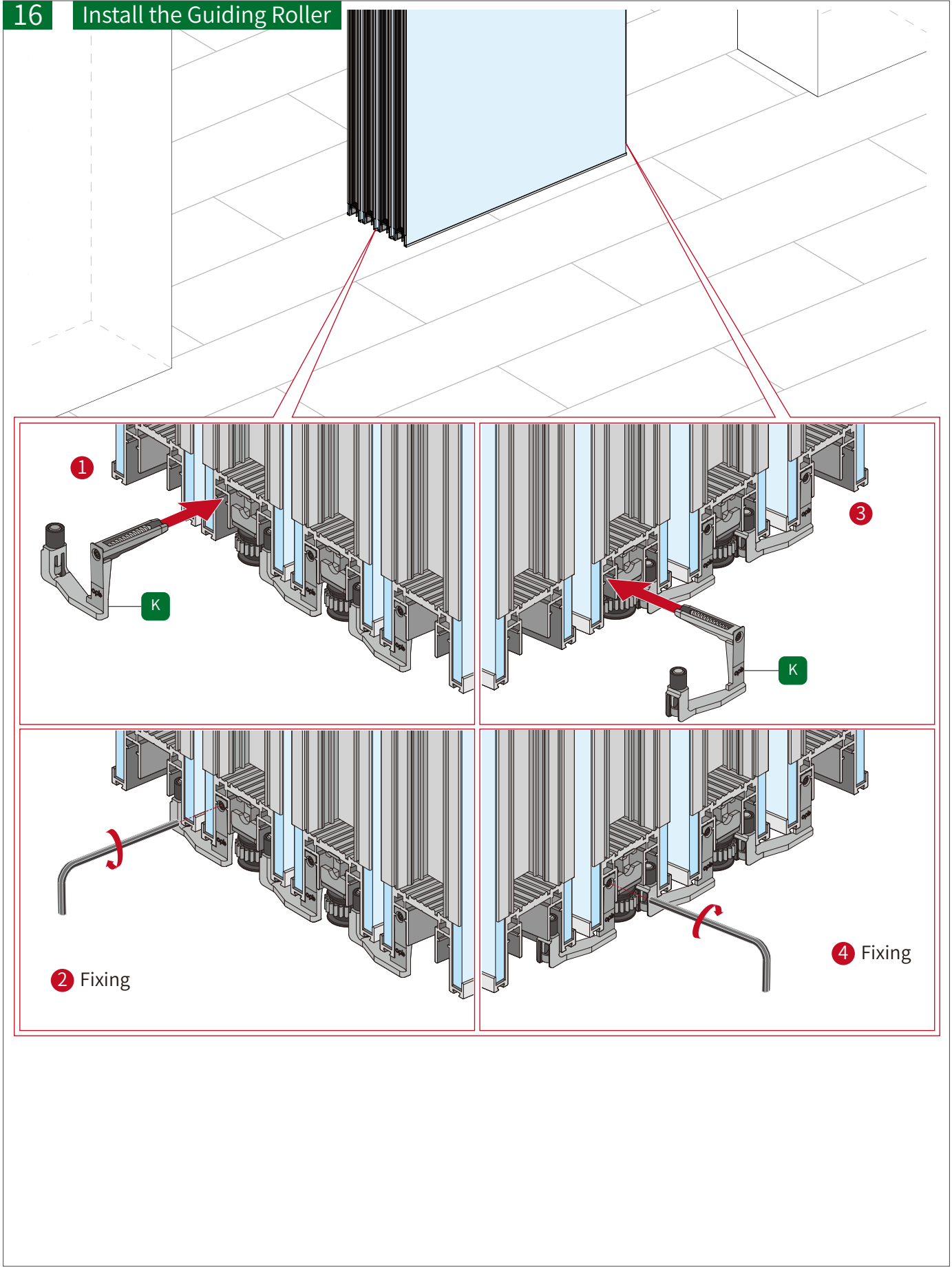
14 Install the Belt



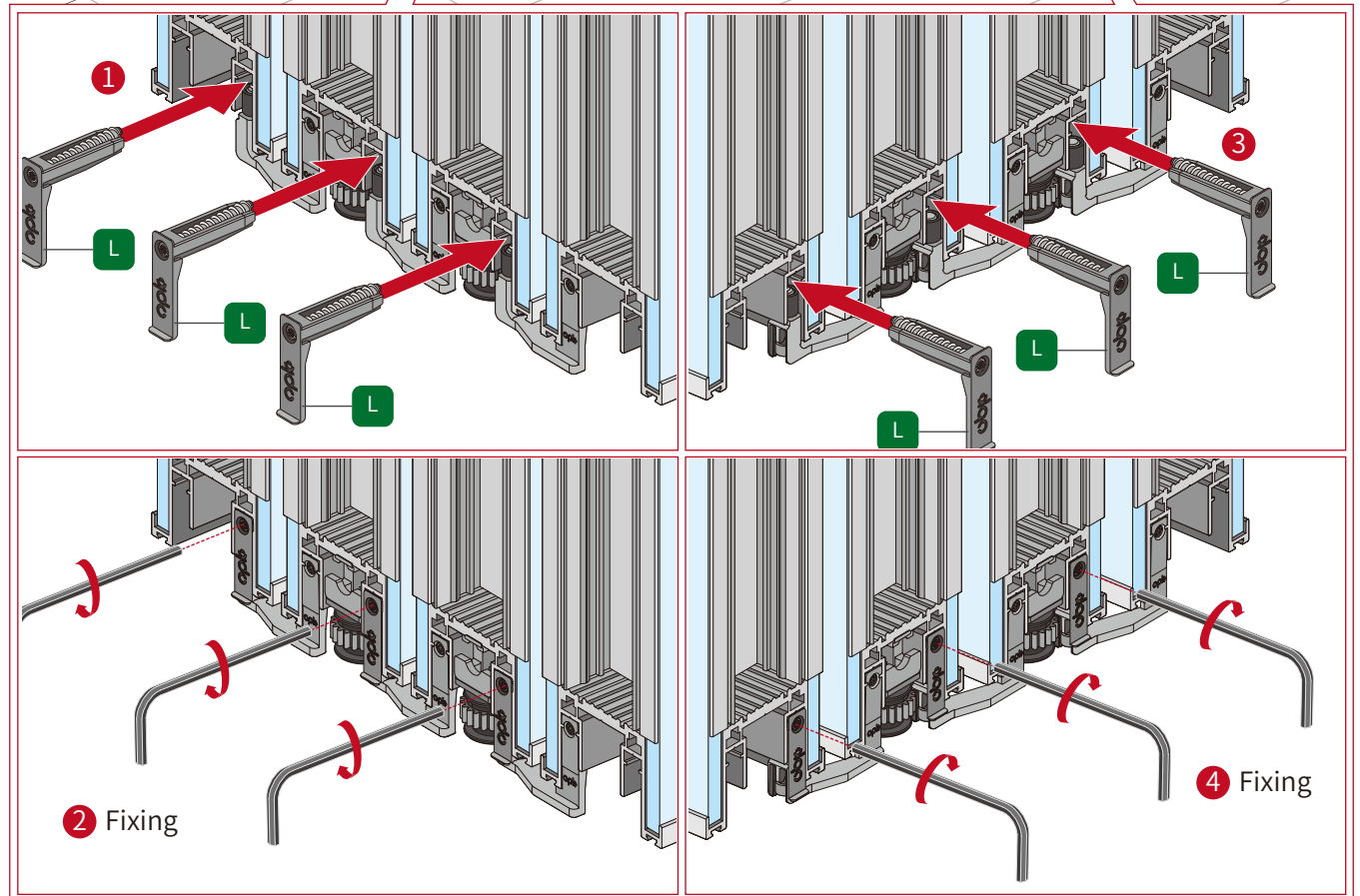
\*Must be flush.

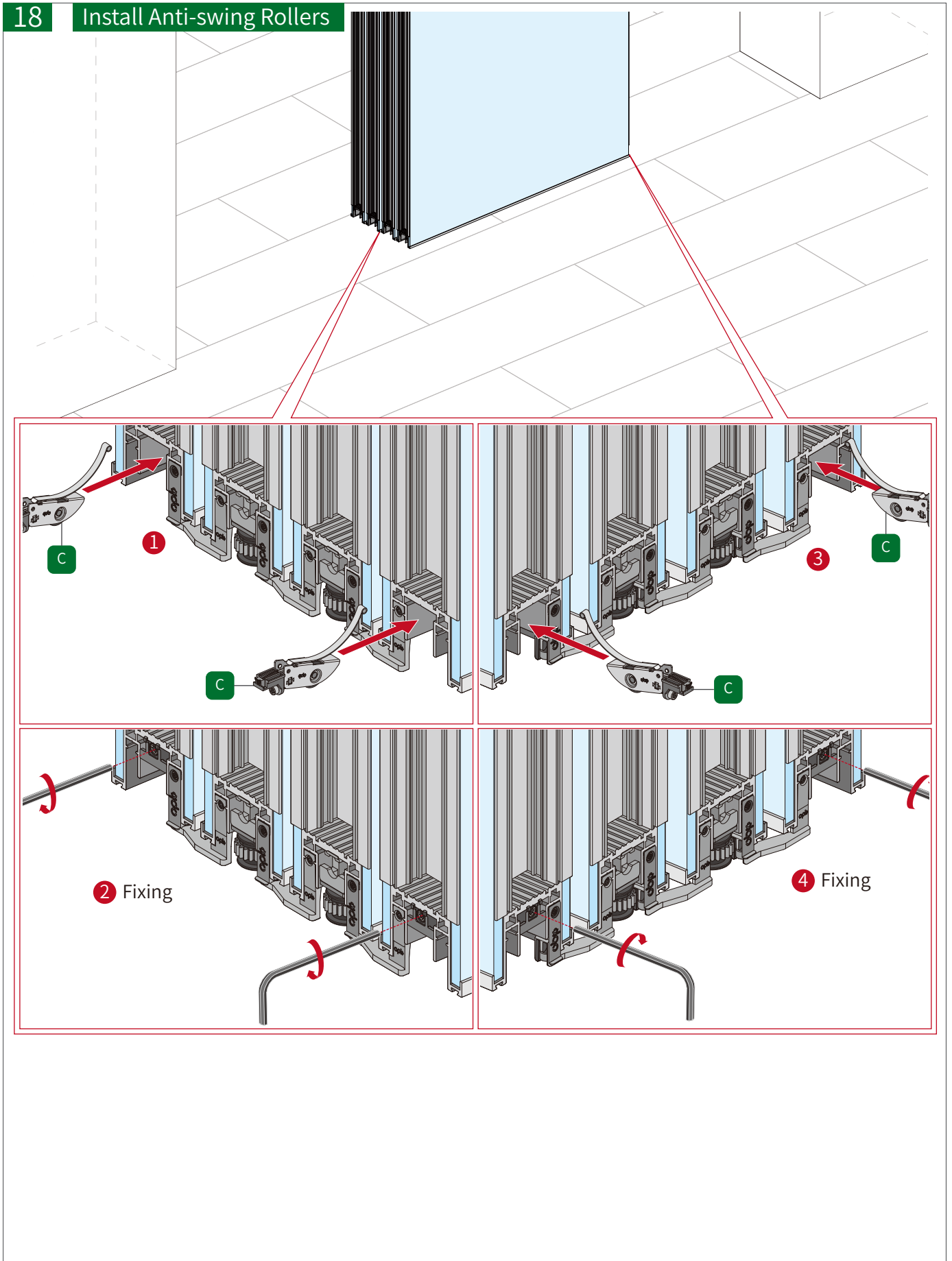






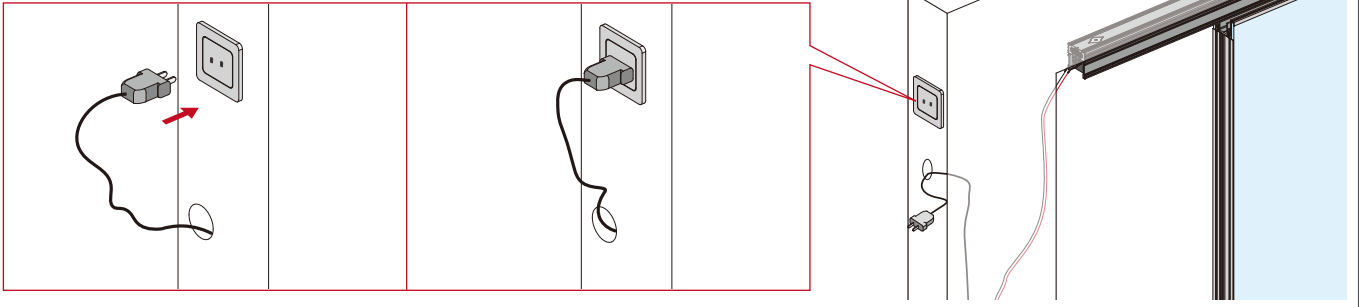
# 17 Install the Anti-pushing or Anti-pulling Fittings





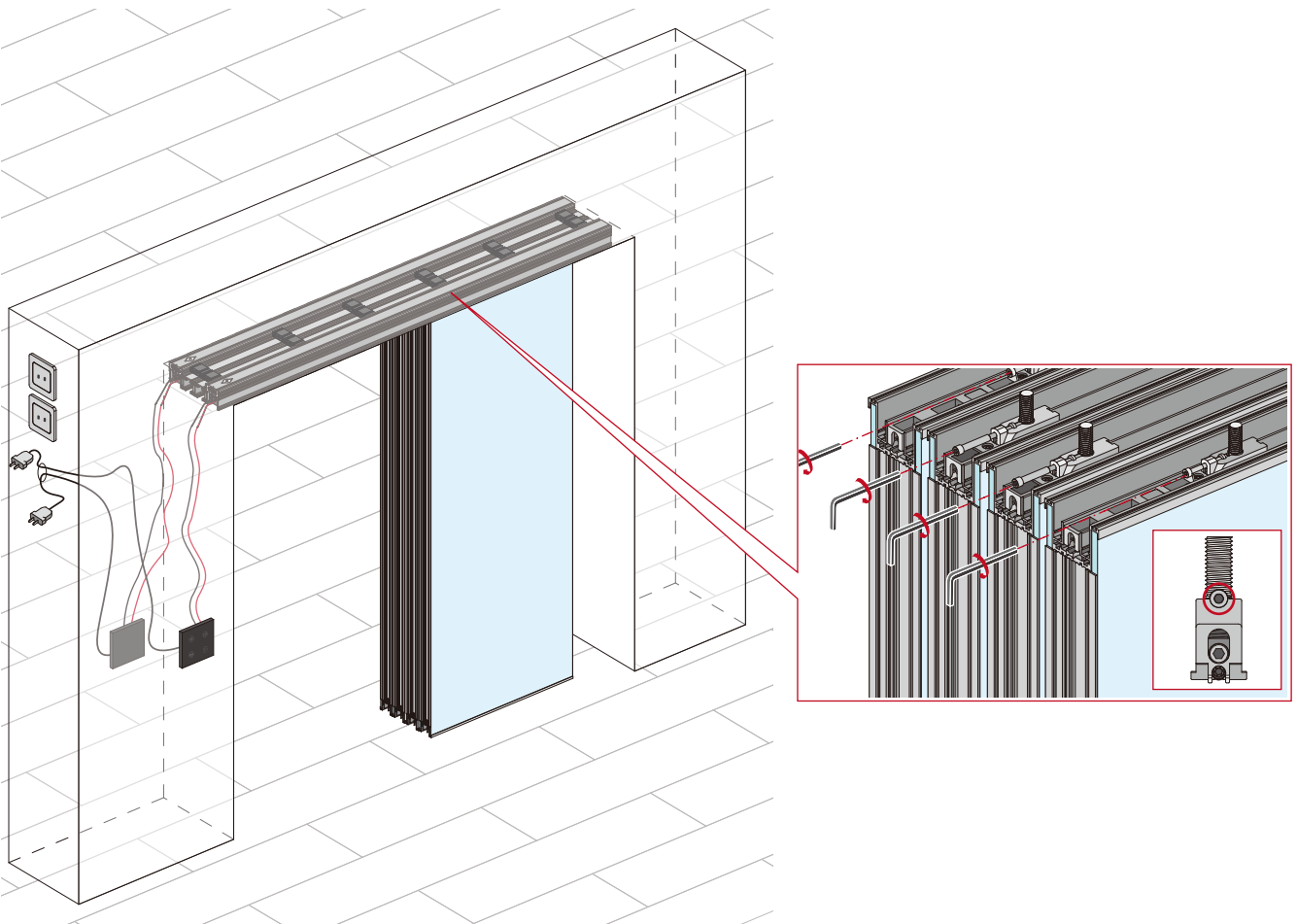
## 19 Power-on Learning

⚠ After the door stops after powering on, it must be connected to the APP and click the learning button on the APP to learn once.

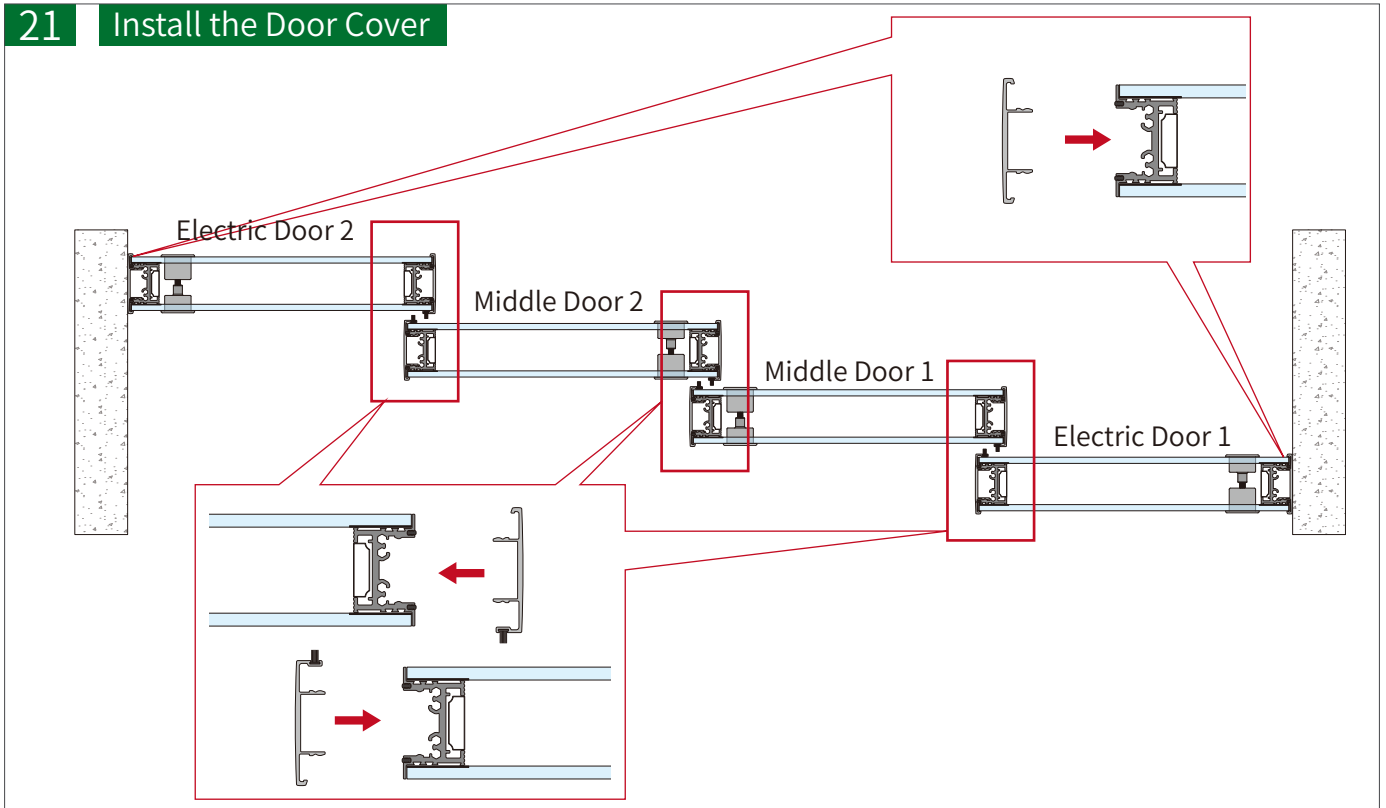


## 20 Adjust the Door

⚠ The door may jump violently due to a over-light door  
Tighten the bolt can effectively ease the door jumping.



## 21 Install the Door Cover



## 22 Install the Cover of Track

